

# DMA 82 / DMA 162 DPA 162

## USER MANUAL MANUALE D'USO

- DMA 82 / DMA 162  
TWO-CHANNEL DIGITAL  
MATRIX AMPLIFIER
- DPA 162 DIGITAL POWER  
AMPLIFIER
  
- DMA 82 / DMA 162  
AMPLIFICATORE MATRICE  
DIGITALE A DUE CANALI
- DPA 162 AMPLIFICATORE  
DIGITALE







## ENGLISH

|  |    |
|--|----|
| SAFETY AND OPERATING PRECAUTIONS               | 4  |
| INTRODUCTION ABOUT THE BUSINESS MUSIC LINE     | 6  |
| DMA 82 / DMA 162 DESCRIPTION AND MAIN FEATURES | 6  |
| DPA 162 DESCRIPTION AND MAIN FEATURES          | 7  |
| UNPACKING, INSTALLATION AND COOLING            | 7  |
| AUDIO BLOCK DIAGRAM                            | 8  |
| DMA 82 / DMA 162 FRONT PANEL                   | 9  |
| DMA 82 / DMA 162 REAR PANEL                    | 10 |
| DMA 82 / DMA 162 OPERATION MODES               | 12 |
| DMA 82 / DMA 162 SETTINGS                      | 14 |
| DPA 162 FRONT PANEL                            | 17 |
| DPA 162 REAR PANEL                             | 18 |
| SPECIFICATIONS                                 | 20 |
| CONNECTION EXAMPLE                             | 22 |

## ITALIANO

|  |    |
|--|----|
| AVVERTENZE PER LA SICUREZZA                                | 24 |
| INTRODUZIONE AI PRODOTTI DELLA LINEA BUSINESS MUSIC        | 26 |
| DMA 82 / DMA 162: DESCRIZIONE E CARATTERISTICHE PRINCIPALI | 26 |
| DPA 162: DESCRIZIONE E CARATTERISTICHE PRINCIPALI          | 27 |
| DISIMBALLAGGIO, INSTALLAZIONE E RAFFREDDAMENTO             | 27 |
| DIAGRAMMA A BLOCCHI DEL SEGNALE AUDIO                      | 28 |
| DMA 82 / DMA 162: PANNELLO FRONTALE                        | 29 |
| DMA 82 / DMA 162: PANNELLO POSTERIORE                      | 30 |
| DMA 82 / DMA 162: MODALITÀ DI FUNZIONAMENTO                | 32 |
| DMA 82 / DMA 162: IMPOSTAZIONI                             | 34 |
| DPA 162: PANNELLO FRONTALE                                 | 37 |
| DPA 162: PANNELLO POSTERIORE                               | 38 |
| DATI TECNICI   | 40 |
| ESEMPIO DI COLLEGAMENTI                                    | 42 |



Before connecting and using this product, please read this instruction manual carefully and keep it on hand for future reference.

The manual is to be considered an integral part of this product and must accompany it when it changes ownership as a reference for correct installation and use as well as for the safety precautions.

RCF S.p.A. will not assume any responsibility for the incorrect installation and / or use of this product.

To prevent the risk of fire or electric shock, never expose this product to rain or humidity. This device is intended for indoor use only.

## SAFETY PRECAUTIONS

**1.** All the precautions, in particular the safety ones, must be read with special attention, as they provide important information.

### 2. POWER SUPPLY FROM MAINS

- The mains voltage is sufficiently high to involve a risk of electrocution: never install or connect this product when its power cord is plugged in.
- Before powering up, make sure that all the connections have been made correctly and the voltage of your mains corresponds to the voltage shown on the rating plate on the unit, if not, please contact your RCF dealer.
- The metallic parts of the unit are earthed by means of the power cord.  
An apparatus with CLASS I construction shall be connected to a mains socket outlet with a protective earthing connection.
- Protect the power cord from damage. Make sure it is positioned in a way that it cannot be stepped on or crushed by objects.
- To prevent the risk of electric shock, never open this product: there are no parts inside that the user needs to access.
- The mains plug is used as the disconnect device and it shall remain readily operable.

**3.** Make sure that no objects or liquids can get into this product, as this may cause a short circuit.

This apparatus shall not be exposed to dripping or splashing. No objects filled with liquid (such as vases) and no naked sources (such as lighted candles) shall be placed on this apparatus.

**4.** Never attempt to carry out any operations, modifications or repairs that are not expressly described in this manual.

Contact your authorized service centre or qualified personnel should any of the following occur:

- The product does not function (or functions in an anomalous way).
- The power cord has been damaged.
- Objects or liquids have got into the product.
- The product has been subject to a heavy impact.

**5.** If this product is not used for a long period, disconnect its power cord from mains.

**6.** If this product begins emitting any strange smell or smoke, **switch it off immediately and disconnect its power cord.**

## IMPORTANT



## WARNING



**7.** Do not connect this product to any equipment or accessories not foreseen.  
To prevent the risk of falling equipment, do not stack multiple units of this product unless this possibility is specified in this user manual.

**8. RCF S.p.A.** strongly recommends this product is only installed by professional qualified installers (or specialised firms) who can ensure correct installation and certify it according to the regulations in force.

The entire audio system must comply with the current standards and regulations regarding electrical systems.

**9. Supports and trolleys**

The equipment should be only used on trolleys or supports, where necessary, that are recommended by the manufacturer. The equipment / support / trolley assembly must be moved with extreme caution.

Sudden stops, excessive pushing force and uneven floors may cause the assembly to overturn.

**10.** Mechanical and electrical factors need to be considered when installing a professional audio system (in addition to those which are strictly acoustic, such as sound pressure, angles of coverage, frequency response, etc.).

**11. Hearing loss**

Exposure to high sound levels can cause permanent hearing loss. The acoustic pressure level that leads to hearing loss is different from person to person and depends on the duration of exposure. To prevent potentially dangerous exposure to high levels of acoustic pressure, anyone who is exposed to these levels should use adequate protection devices.

When a transducer capable of producing high sound levels is being used, it is therefore necessary to wear ear plugs or protective earphones.

See the technical specifications in speaker user manuals to know their maximum sound pressure levels.

**12.** Do not obstruct the ventilation of the unit and place this product far from any heat sources and always ensure adequate air circulation around.

**13.** Do not overload amplifiers. Check that amplifier outputs are not shorted.

**14.** Never force the control elements (keys, knobs, etc. ).

**15.** Do not use solvents, alcohol, benzene or other volatile substances for cleaning the external parts of this product.

Use a dry cloth.

## NOTES ABOUT AUDIO SIGNAL CABLES

To prevent the occurrence of noise on microphone / line signal cables, use screened cables only and avoid putting them close to:

- Equipment that produces high-intensity electromagnetic fields.
- Mains cables.
- Loudspeaker lines.

**RCF S.p.A. thanks you for purchasing this product, which has been designed to guarantee reliability and high performance.**

## INTRODUCTION ABOUT THE BUSINESS MUSIC LINE

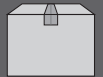


BUSINESS MUSIC line includes DMA 82 / DMA 162 digital matrix amplifiers, DPA 162 digital power amplifier, BM 404 paging microphone, remote controls and speakers, offering a complete sound system and maximizing the overall acoustic performance. DMA / DPA amplifiers are extremely compact (1/2 19" rack unit wide and 1 unit high) that make them ideal for either desktop or rack installation (with optional accessories) and are suitable for a wide range of system solutions, from retail stores to bars and restaurants, meeting rooms, education or public facilities and any A/V application. Their accurate design together with environmental robustness (IP 30 protection grade and high efficiency thermal dissipation) represents a junction point between professional and consumer markets.

This line includes both ceiling and wall mount speakers, which have professional acoustic performances and a high valued industrial design, it has different configuration levels, from the user friendly front control panel to the RCF 'RDNet' for large and complex systems, with a highly scalable architecture.

Control units can send up to four mono / two stereo audio channels to satellite units through a single CAT5 cable. This allows to increase the installed power and create a multi-room architecture as well, with a simple connection among devices.

## DMA 82 / DMA 162 DESCRIPTION AND MAIN FEATURES



DMA 82 and DMA 162 are two-channel class-D matrix amplifiers, both equipped with a powerful DSP platform, allowing managing inputs and outputs in terms of routing and equalization (a complete set of processing functions is available, including PEQ, FIR filters, bass enhancement, limiters, compressors and environmental equalization); moreover, dedicated presets for RCF speakers have been implemented to optimize their acoustic performance.

The two models only differ in the output power:

- DMA 82            either 2 ch. x 80 W RMS @ 4 Ω or a single 160 W 70 V line
- DMA 162        either 2 ch. x 160 W RMS @ 4 Ω or a single 320 W 70 V line.

Each DMA is suitable for either desktop or rack installation (thanks to its dedicated optional accessory).

Each unit has 2 stereo LINE audio inputs on RCA connectors, 1 MIC+LINE balanced audio input on removable screw terminals and a LINE audio output with a switchable low-pass filter useful for the connection to an active subwoofer.

A dedicated input having RJ 45 connector allows the connection of up to four BM 404 paging microphones (interlocked one another on a single chain).

A RC 401 wall-mount remote control can be linked to each output channel in order to adjust its respective volume level and select the desired audio input.

DMA can send up to 4 audio channels to satellite DPA units (through a BUS with a single CAT5 cable), combining a flexible and scalable multi-room architecture with an easy connection and installation.

Its configuration is user friendly and can be carried out through either its front panel controls (with OLED display) or 'RDNet' (when its optional board is installed).



DPA 162 is a two-channel class-D power amplifier.

Output power: either 2 channels x 160 W RMS @ 4  $\Omega$  or a single 320 W 70 V line.

Up to 4 DPA 162 can be linked to a single DMA unit in order to increase the system output power and implement multi-room architectures.

However, each DPA can be used as a stand alone amplifier as well.

Each amplifier is suitable for either desktop or rack installation (thanks to its dedicated optional accessory).

DPA 162 can receive processed audio signals from a DMA amplifier on a four-channel audio BUS (either four mono or one stereo and two mono or two stereo, the four signals are the same sent to the DMA power amplifiers), or as alternative, it is possible to select the local stereo LINE input (by closing the dedicated contact).

A LINE output is also available, with a switchable low-pass filter for the connection to an active subwoofer.

Its configuration can be carried out through either the dip-switches on its rear panel or 'RDNet' (when its optional board is installed).

## UNPACKING, INSTALLATION AND COOLING



Check the carton box and its contents and if there is any sign of damage (should the amplifier be damaged, immediately inform your local distributor / dealer and the forwarder).

It is always advisable to keep the packing materials, even if the amplifier has arrived in good condition. The power cord is included.

DMA / DPA amplifiers can be installed into a 19" rack cabinet (an optional accessory is required for every pair, as each amplifier needs half a rack unit).

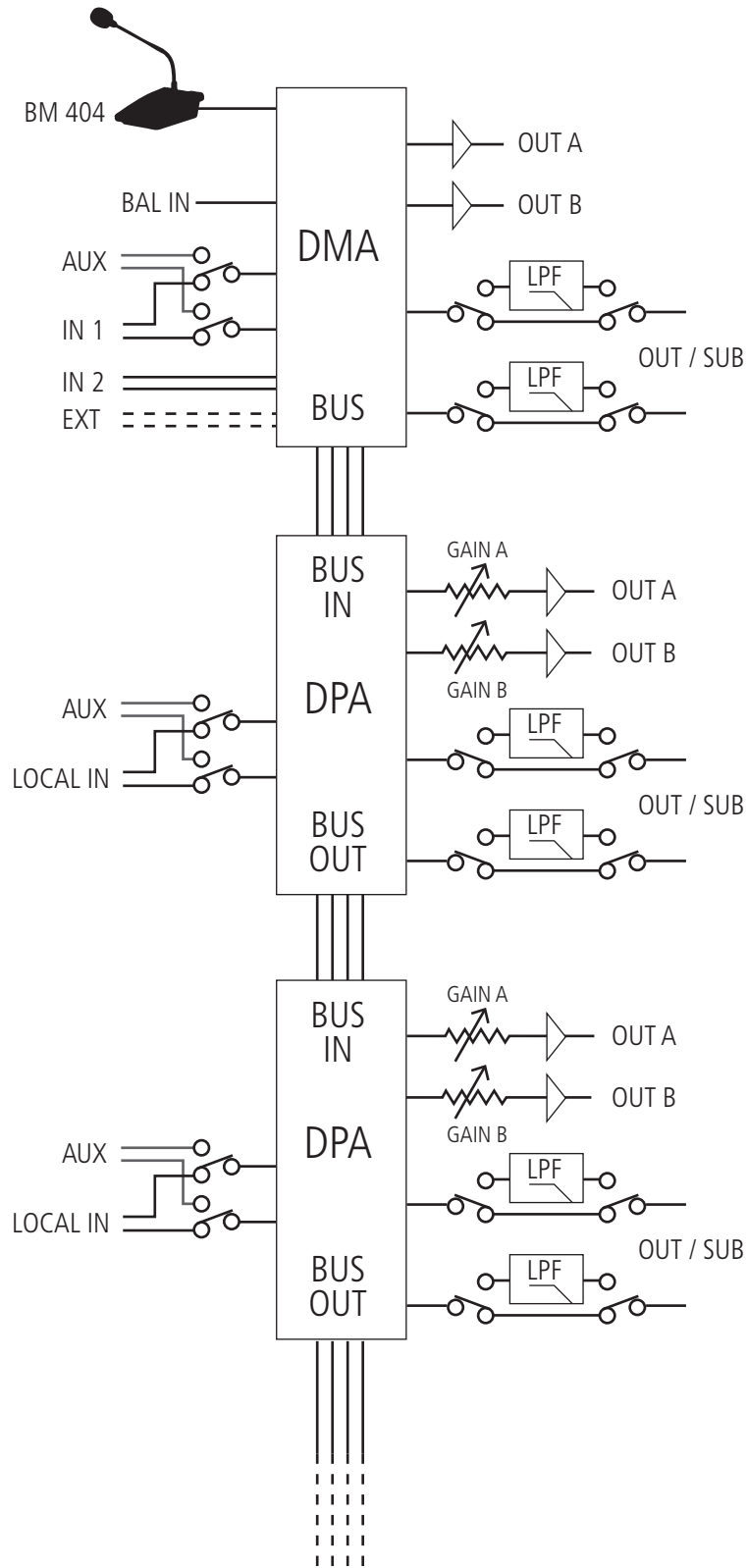
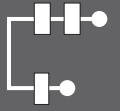
Amplifiers should not be installed in a place with:

- Too high temperature, dust or excessive humidity.
- Exhaust air ventilators.
- Permanent vibrations.
- High-intensity electromagnetic fields (due to transformers, transmitters, etc.).

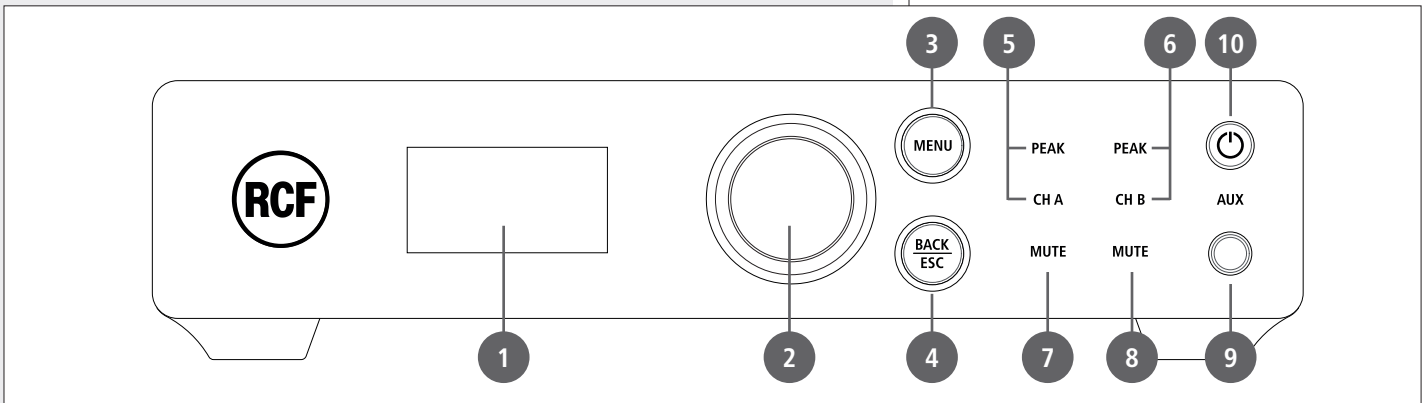
Make sure there is an adequate ventilation and amplifiers sides have enough room.

The temperature inside the rack cabinet should be kept below 35°C (95°F).

For safety reasons, never disconnect the earth (ground) pin of the mains power cord. Use audio shielded cables to avoid hum and interference.







### 1 Display (OLED)

When no menu is selected, the current output levels are displayed as bars.

### 2 Rotary encoder and push-button to select.

Turn the encoder either clockwise to increase the **MASTER VOLUME** level or counterclockwise to decrease it.

Press it to toggle **MUTE ALL / UNMUTE ALL**.

In the edit mode (after pressing **MENU** 3): turn the encoder either clockwise to scroll the menu downwards or increase the selected parameter value, turn it counterclockwise to scroll the menu upwards or decrease the selected parameter value.

Press to select (and enter a submenu).

### 3 MENU button: press to enter the edit mode and select the menu home page.

### 4 BACK / ESC button: press to quit the displayed menu.

**5 CH A / PEAK** (two LEDs): CH A is lit when the audio signal is present on the channel A. PEAK blinks when the signal level of the channel A reaches the clipping point, causing the limiter intervention; if it is steady lit, its volume level is excessive and needs to be reduced.

**6 CH B / PEAK** (two LEDs): CH B is lit when the audio signal is present on the channel B. PEAK blinks when the signal level of the channel B reaches the clipping point, causing the limiter intervention; if it is steady lit, its volume level is excessive and needs to be reduced.

**7 CHANNEL A MUTE** (LED): when lit, the channel A output is muted.

**8 CHANNEL B MUTE** (LED): when lit, the channel B output is muted.

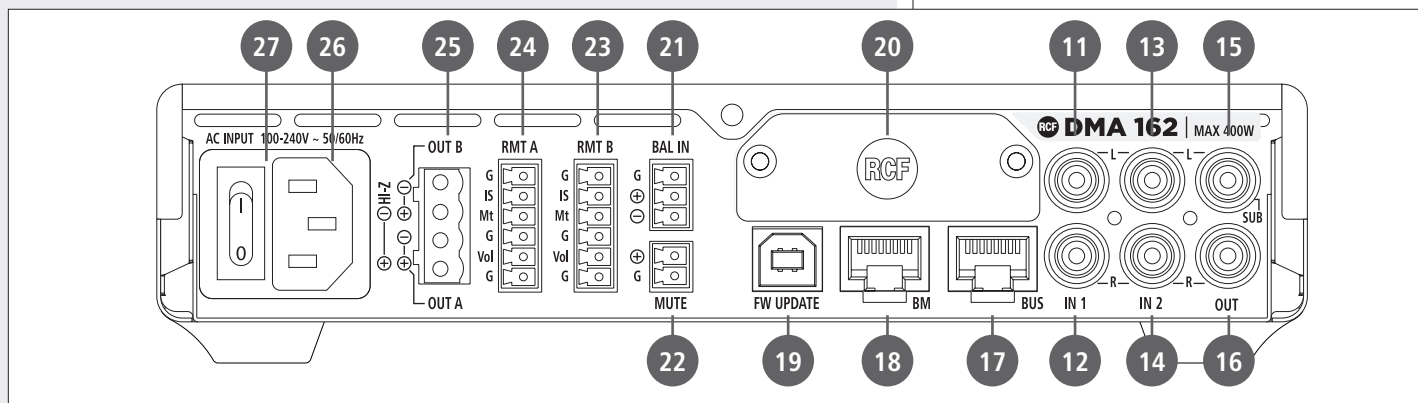
### 9 AUX input (3.5 mm stereo TRS jack).

If a jack plug is inserted into this input, the rear panel INPUT 1 is disabled.

### 10 STAND-BY button with LED: push to toggle the amplifier on/stand-by.

The LED is lit white when the amplifier is turned on, red when the amplifier is in stand-by.

## DMA 82 / DMA 162 REAR PANEL



**11 AUDIO INPUT 1** (left channel): unbalanced line level input with RCA socket.

**12 AUDIO INPUT 1** (right channel): unbalanced line level input with RCA socket.

IF A JACK PLUG IS INSERTED INTO THE FRONT PANEL **AUX** INPUT **9**, THE REAR PANEL AUDIO **INPUT 1** **11**, **12** IS MOMENTARY DISABLED.

**13 AUDIO INPUT 2** (left channel): unbalanced line level input with RCA socket.

**14 AUDIO INPUT 2** (right channel): unbalanced line level input with RCA socket.

**15 AUDIO OUTPUT** (left channel) / **SUB OUT**: unbalanced line level output with RCA socket.

It can be set to send either a copy of the output A audio signal (BUS 1; left channel if stereo) or the same signal filtered by a low-pass filter (80 Hz) useful for connecting an active subwoofer.

**16 AUDIO OUTPUT** (right channel) / **SUB OUT**: unbalanced line level output with RCA socket.

It can be set to send either a copy of the output B audio signal (BUS 2; right channel if stereo) or the same signal filtered by a low-pass filter (80 Hz) useful for connecting an active subwoofer.

**17 BUS** output (RJ45 socket): it needs to be linked to the BUS input of the first DPA 162 amplifier (if present).



| PIN | BUS AUDIO OUTPUT | WIRE COLOUR (T568B) |
|-----|------------------|---------------------|
| 1   | 1 -              | white-orange        |
| 2   | 1 +              | orange              |
| 3   | 2 -              | white-green         |
| 4   | 3 -              | blue                |
| 5   | 3 +              | white-blue          |
| 6   | 2 +              | green               |
| 7   | 4 -              | white-brown         |
| 8   | 4 +              | brown               |

- 18 **BM:** input (RJ45 socket) for BM 404 paging microphones.  
Up to four BM 404 paging microphones can be linked in 'daisy-chain'.

| PIN | DESCRIPTION           | WIRE COLOUR (T568B) |
|-----|-----------------------|---------------------|
| 1   | PAGING AUDIO SIGNAL – | white-orange        |
| 2   | PAGING AUDIO SIGNAL + | orange              |
| 3   | GROUND                | white-green         |
| 4   | PAGING ENABLE SIGNAL  | blue                |
| 5   | ZONE A SELECTION      | white-blue          |
| 6   | ZONE B SELECTION      | green               |
| 7   | ZONE C SELECTION      | white-brown         |
| 8   | ZONE D SELECTION      | brown               |

As alternative (when no BM 404 microphones are connected), BM input can also be used as additional auxiliary input by connecting the first three pins only.

- 19 **FW UPDATE:** USB (type B) port to link a computer (PC) locally.  
This port can be used either to control the amplifier through the RDNET software or update its firmware.

- 20 Blank panel to be removed when installing the optional RDNET board.

- 21 **BALANCED AUDIO INPUT** for a removable screw terminal block.  
This input has the VOX function: a signal detection that gives automatic priority.

|   |                       |
|---|-----------------------|
| G | ground                |
| + | audio signal + (hot)  |
| – | audio signal – (cold) |

- 22 **MUTE:** (removable screw terminal block): remote mute command (a dry closing contact) active when its contacts are shorted.

- 23 **RMT B:** input (removable screw terminal block) for an optional RC 401 remote control, which allows to select the desired input source and adjust the volume (or mute) of its **OUT B** 25 (speaker output). See **RMT A** 24 for the pin contact list.  
It is not usable when the DMA is set to STEREO or BRIDGE mode.

- 24 **RMT A:** input (removable screw terminal block) for an optional RC 401 remote control, which allows to select the desired input source and adjust the volume (or mute) of its **OUT A** 25 (speaker output) or both outputs when the DMA is set to STEREO mode or the single 70 V line when set to BRIDGE mode.

|     |                 |
|-----|-----------------|
| G   | Ground          |
| Is  | Input Selection |
| Mt  | Mute            |
| G   | Ground          |
| Vol | Volume          |
| G   | Ground          |

## 25 SPEAKER OUTPUTS

DMA amplifier speaker outputs allow either two channels for a low-impedance connections or a single 70 V line for speakers having matching transformers. Connector: EUROBLOCK (removable screw terminal block).

### TWO CHANNELS (A, B) – LOW IMPEDANCE CONNECTION (4 Ω)

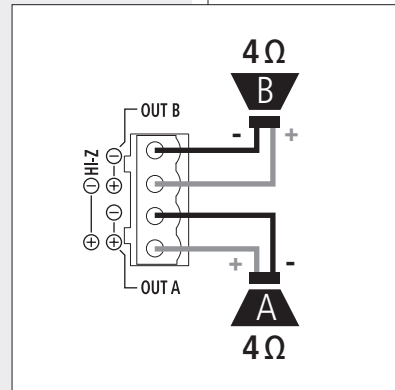
Connect speakers as shown in the figure.

Minimum load impedance is 4 Ω per speaker output.

#### DELIVERED POWER

**DMA 82:** 2 x 80 W RMS @ 4 Ω

**DMA 162:** 2 x 160 W RMS @ 4 Ω



AN IMPEDANCE EQUAL TO 4 Ω ALLOWS TO GET THE MAX. POWER (80 / 160 W).

A HIGHER IMPEDANCE LEADS TO A REDUCTION OF THE DELIVERED POWER (E.G. 8 Ω: CA. 40 / 80 W), AN IMPEDANCE LOWER THAN 4 Ω OVERLOADS THE AMPLIFIER.



### SINGLE 70 V LINE

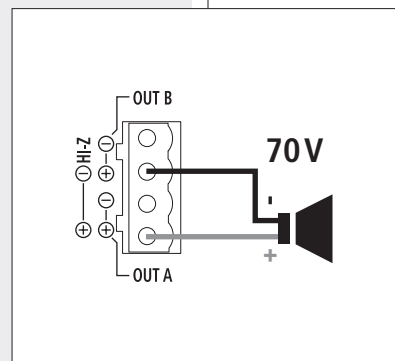
Connect the speaker line as shown in the figure.

**The two channels are bridged by setting the BRIDGE MODE to ON** (see the next manual sections 'DMA 82 / DMA 162 operation modes' and 'DMA 82 / DMA 162 settings') in order to get a single 70 V line.

Do NOT connect the other two contacts.

All speakers shall have a matching transformer with 70 V input.

The overall speaker power shall not exceed 160 W (DMA 82) / 320 W (DMA 162).



## 26 Power cord input.

Connect the power cord only to a mains socket outlet with a protective earthing connection.

## 27 Power switch: push to turn on (I) / off (O) the amplifier.

## DMA 82 / DMA 162 OPERATION MODES



After inserting the correct password (menu: SETTING > PASSWORD), it is possible to set the DMA operation among the three different modes: mono, stereo, bridge.

To activate the stereo mode, in the menu select the STEREO MODE parameter and turn it on. To activate the bridge mode (single 70 V line output), in the menu select the BRIDGE MODE parameter and turn it on.

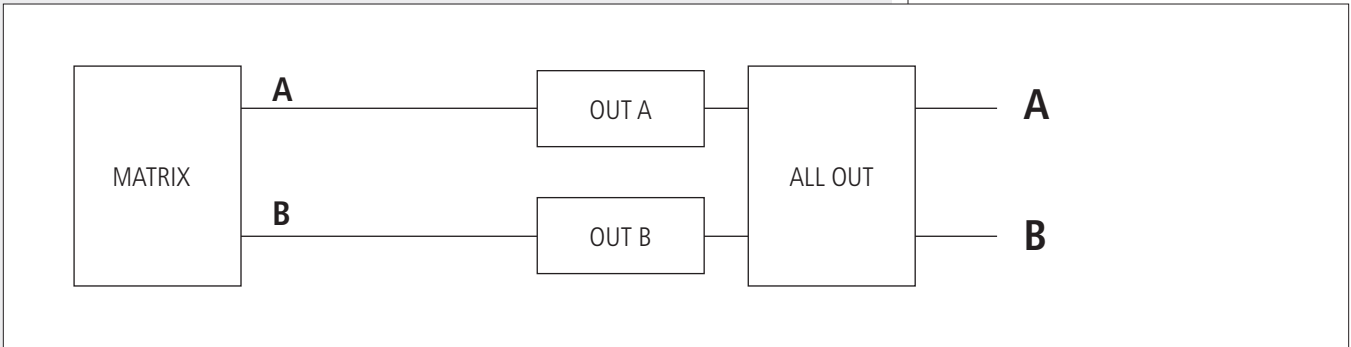
The two parameters STEREO MODE and BRIDGE MODE are mutually exclusive, when turning one on, the other automatically turns off. For the MONO mode, leave both parameters set to OFF.

### OUTPUT VOLUME CONTROL BLOCK DIAGRAMS

NOTE: **ALL OUT** IS ALWAYS THE MASTER VOLUME.

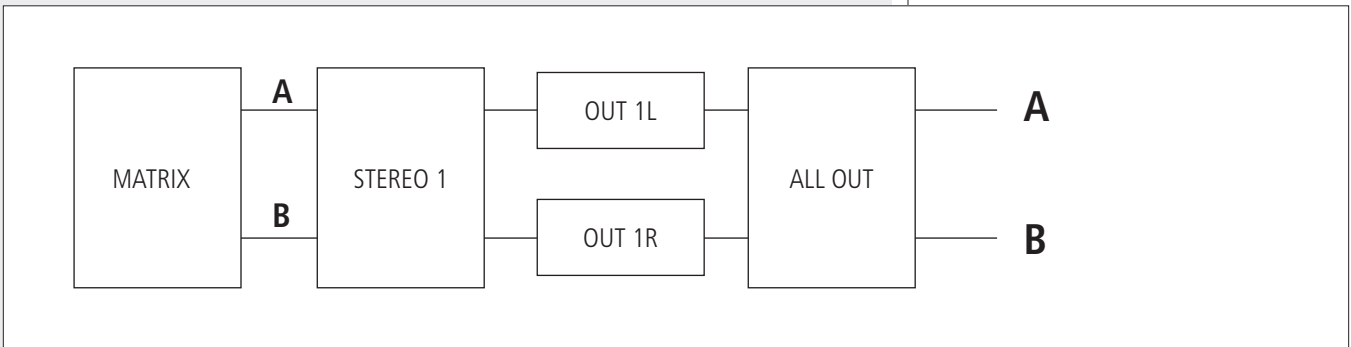


#### MONO



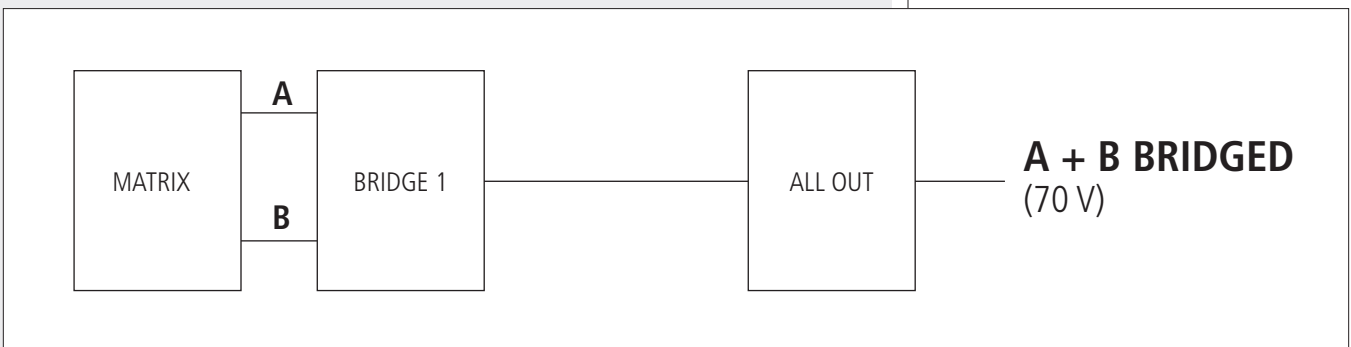
The two outputs A and B are independent and have separate volume controls: **OUT A** and **OUT B**.

#### STEREO



The DMA can manage stereo inputs.  
**STEREO1** is the common volume for both left (A) and right (B) channels.  
**OUT 1L** and the **OUT 1R** are the single channel volume controls (useful for balance).

#### BRIDGE



The two outputs are bridged in order to get a single 70 V line (mono).  
**BRIDGE1** is the common volume control.



Press the front panel **MENU** button **3** to enter the edit mode and select the menu home page.

Turn the rotary encoder **2** either clockwise to scroll the menu downwards or increase the selected parameter value, turn it counterclockwise to scroll the menu upwards or decrease the selected parameter value.

Press the rotary encoder **2** to select (and enter a submenu).

Press the **BACK / ESC** button **4** to quit the displayed menu.

All parameters highlighted in grey are available only after entering (in the setting menu) the proper password / 4-digit code: **7471**.

All audio inputs highlighted in grey are available after setting the **ADVANCED MODE** parameter (in the setting menu) to **ON**.

#### NOTES:

- WHEN IN STEREO MODE, ALL STEREO INPUTS (IN 1, IN 2, EXT) ARE ROUTED IN STEREO TO MAIN OUTPUTS A, B AND OUT / SUB.
- BAL IN AND BM INPUTS ARE ALWAYS ROUTED IN MONO TO ALL OUTPUTS.
- IN THE ADVANCED MODE, SEPARATE MONO INPUTS SUCH AS IN 1L, IN 1R, IN 2L, IN 2R, EXT L AND EXT R, WHEN ROUTED TO A STEREO OUTPUT, ARE SENT TO THE RESPECTIVE CHANNEL ONLY (LEFT FOR INPUTS LABELLED 'L', RIGHT FOR INPUTS LABELLED 'R') AND MUTED TO THE OTHER CHANNEL.

#### HOME PAGE (when in **mono** mode)

|         |   |
|---------|---|
| OUT A   | Enter the <b>OUT</b> menu for <b>OUT A</b> only |
| OUT B   | Enter the <b>OUT</b> menu for <b>OUT B</b> only |
| ALL OUT | Enter the <b>ALL OUT</b> menu                   |
| INPUT   | Enter the <b>INPUT</b> menu                     |
| BUS OUT | Enter the <b>BUS OUT</b> menu                   |
| SETTING | Enter the <b>SETTING</b> menu                   |

#### HOME PAGE (when in **stereo** mode)

|         |  |
|---------|--|
| STEREO1 | Enter the <b>STEREO1</b> menu                                |
| OUT 1L  | Enter the <b>OUT</b> menu for the left channel (OUT A) only  |
| OUT 1R  | Enter the <b>OUT</b> menu for the right channel (OUT B) only |
| ALL OUT | Enter the <b>ALL OUT</b> menu                                |
| INPUT   | Enter the <b>INPUT</b> menu                                  |
| BUS OUT | Enter the <b>BUS OUT</b> menu                                |
| SETTING | Enter the <b>SETTING</b> menu                                |

#### HOME PAGE (when in **bridge** mode, 70 V out)

|         |                               |
|---------|-------------------------------|
| BRIDGE1 | Enter the <b>BRIDGE1</b> menu |
| ALL OUT | Enter the <b>ALL OUT</b> menu |
| INPUT   | Enter the <b>INPUT</b> menu   |
| BUS OUT | Enter the <b>BUS OUT</b> menu |
| SETTING | Enter the <b>SETTING</b> menu |

| OUT MENU        |  |
|-----------------|--|
| VOLUME          | Adjusts the selected output volume level   |
| MUTE            | Mutes (ON) or unmutes (OFF) the selected output  |
| INPUT SELECTION | Selects the audio input among: IN 1, IN 2, EXT (input reserved for optional boards), BAL IN, BM (when used as aux input), IN 1L, IN 1R, IN 2L, IN 2R, EXT L, EXT R |
| STEREO MODE     | Turns ON / OFF the STEREO mode   |
| BRIDGE MODE     | Turns ON / OFF the BRIDGE mode   |
| SPEAKER PRESET  | Selects the speaker preset (suitable for the used model)   |
| HP FILTER       | Selects the high-pass filter cutoff frequency of the selected output   |
| BASS ENHANCER   | Turns ON / OFF the bass enhancer   |
| PEQ             | Enter to a submenu including two parametric equalizers (PEQ). Select a PEQ and edit the GAIN, the FREQUENCY and Q factor   |
| POLARITY        | Inverts (when ON) the signal polarity  |

| STEREO1 MENU (when in <b>stereo</b> mode) |  |
|---|--|
| VOLUME                                    | Adjusts the output volume level of both outputs  |
| MUTE                                      | Mutes (ON) or unmutes (OFF) both outputs   |
| INPUT SELECTION                           | Selects the audio input among: IN 1, IN 2, EXT (input reserved for optional boards), BAL IN, BM (when used as aux input), IN 1L, IN 1R, IN 2L, IN 2R, EXT L, EXT R |
| STEREO MODE                               | Turns ON / OFF the STEREO mode   |
| BRIDGE MODE                               | Turns ON / OFF the BRIDGE mode   |

| BRIDGE1 MENU (when in <b>bridge</b> mode) |  |
|---|--|
| VOLUME                                    | Adjusts the output volume level  |
| MUTE                                      | Mutes (ON) or unmutes (OFF) the output (both channels)   |
| INPUT SELECTION                           | Selects the audio input among: IN 1, IN 2, EXT (input reserved for optional boards), BAL IN, BM (when used as aux input), IN 1L, IN 1R, IN 2L, IN 2R, EXT L, EXT R |
| STEREO MODE                               | Turns ON / OFF the STEREO mode   |
| BRIDGE MODE                               | Turns ON / OFF the BRIDGE mode   |
| SPEAKER PRESET                            | Selects the speaker preset (suitable for the used model)   |
| HP FILTER                                 | Selects the high-pass filter cutoff frequency of the selected output   |
| BASS ENHANCER                             | Turns ON / OFF the bass enhancer   |
| PEQ                                       | Enter to a submenu including two parametric equalizers (PEQ). Select a PEQ and edit the GAIN, the FREQUENCY and Q factor   |
| POLARITY                                  | Inverts (when ON) the signal polarity  |

| ALL OUT MENU    |  |
|-----------------|--|
| VOLUME          | Adjusts the output volume level of all outputs   |
| MUTE            | Mutes (ON) or unmutes (OFF) all outputs  |
| INPUT SELECTION | Selects the audio input among: IN 1, IN 2, EXT (input reserved for optional boards), BAL IN, BM (when used as aux input), IN 1L, IN 1R, IN 2L, IN 2R, EXT L, EXT R |

**INPUT MENU**

After entering the INPUT menu, select an audio input among IN 1, IN 2, EXT (input reserved for optional boards), BAL IN, BM, IN 1L, IN 1R, IN 2L, IN 2R, EXT L or EXT R to edit its parameters:

|   |   |
|---|---|
| VOLUME  | Adjusts the level of the selected input   |
| 3B EQ   | 3-band equalizer: allows to adjust LOW, MID and HIGH frequencies  |
| After choosing BAL IN, three additional parameters are available: |   |
| LINE/MIC LEVEL  | Sets the BAL IN level either as LINE or MIC   |
| VOX   | Toggles ON / OFF the VOX function (automatic priority when a signal is detected at the BAL IN) and sets the threshold LEVEL |
| POLARITY  | Inverts (when ON) the signal polarity   |

**BUS OUT MENU**

After entering the BUS OUT menu (relevant to the BUS output), select either a CHANNEL (1, 2, 3, 4) or SUB /AUX.

After selecting a channel, a submenu appears:

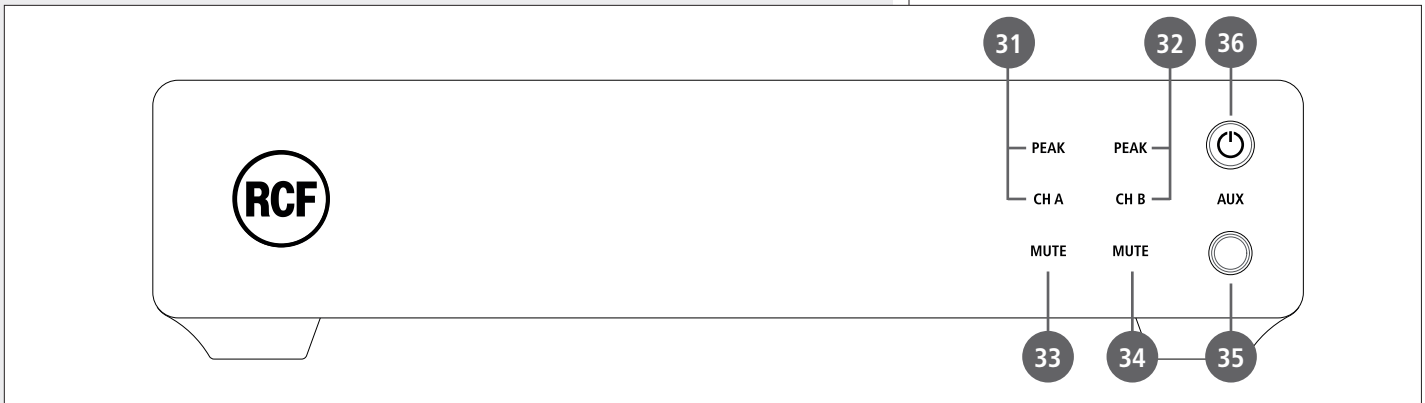
|         |  |
|---------|--|
| VOLUME  | Adjusts the level of the selected channel  |
| MUTE    | Mutes (ON) or unmutes (OFF) the selected channel                                     |
| FLAT EQ | Toggles the FLAT EQ ON / OFF on the selected channel.<br>'Flat Eq.': no equalization |

After selecting SUB / AUX, it is possible to toggle ON/OFF the SUB function of the rear panel **OUT / SUB** 15, 16. If set to ON, those outputs are affected by a 80 Hz low-pass filter for connecting active subwoofers.

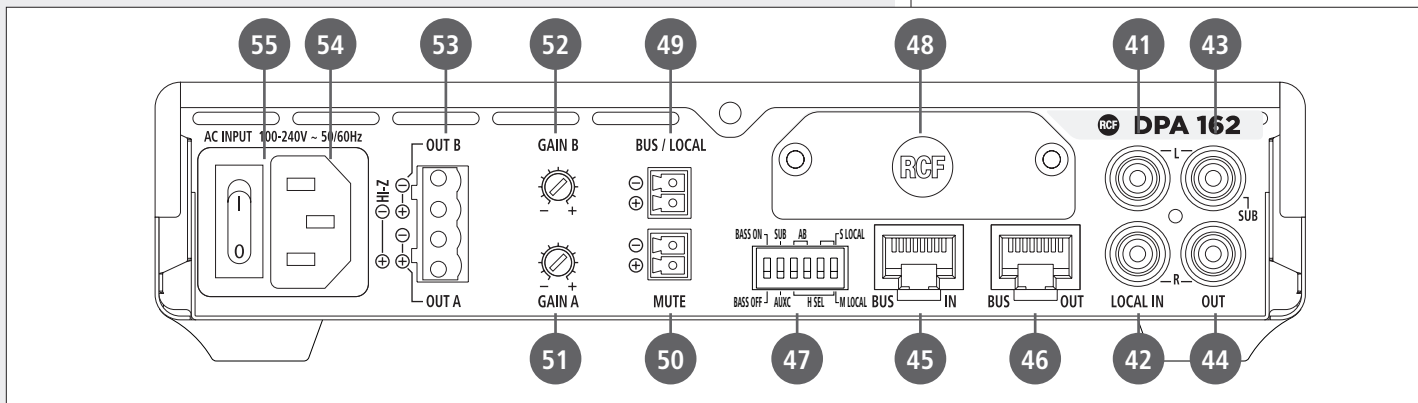
**SETTING MENU**

|               |  |
|---------------|--|
| PASSWORD      | Allows to enter the 4-digit code ( <b>7471</b> ) to access all parameters  |
| OUTPUT LABEL  | Allows to give new labels to OUT A and OUT B in the menus  |
| FACTORY RESET | Allows to restore the factory settings   |
| LANGUAGE      | Menu language selection  |
| ADVANCED MODE | If set to OFF (default), inputs IN 1, IN 2 and EXT are fixed as stereo pairs, if set to ON, additional input options are available |





- 31 CH A / PEAK** (two LEDs): CH A is lit when the audio signal is present on the channel A. PEAK blinks when the signal level of the channel A reaches the clipping point, causing the limiter intervention; if it is steady lit, its volume level is excessive and needs to be reduced.
- 32 CH B / PEAK** (two LEDs): CH B is lit when the audio signal is present on the channel B. PEAK blinks when the signal level of the channel B reaches the clipping point, causing the limiter intervention; if it is steady lit, its volume level is excessive and needs to be reduced.
- 33 CHANNEL A MUTE** (LED): when lit, the channel A output is muted.
- 34 CHANNEL B MUTE** (LED): when lit, the channel B output is muted.
- 35 AUX** input (3.5 mm stereo TRS jack).  
To enable it, **BUS / LOCAL** 49 contacts (on the rear panel) need to be shorted. If a jack plug is inserted into this input, the rear panel **LOCAL INPUT** 41, 42 is disabled.
- 36 STAND-BY** button with LED: push to toggle the amplifier on/stand-by. The LED is lit white when the amplifier is turned on, red when the amplifier is in stand-by.



**41 LOCAL INPUT** (left channel): unbalanced line level input with RCA socket useful to link a local music source. To enable this input, **BUS / LOCAL 49** contacts need to be shorted.

**42 LOCAL INPUT** (right channel): unbalanced line level input with RCA socket useful to link a local music source. To enable this input, **BUS / LOCAL 49** contacts need to be shorted.

IF A JACK PLUG IS INSERTED INTO THE FRONT PANEL **AUX** INPUT **35**, THE REAR PANEL AUDIO **LOCAL IN 41, 42** IS MOMENTARY DISABLED.



**43 AUDIO OUTPUT** (left channel) / **SUB OUT**: unbalanced line level output with RCA socket. It can be set to send either a copy of the output A audio signal or the same signal filtered by a low-pass filter (80 Hz) useful for connecting an active subwoofer.

**44 AUDIO OUTPUT** (right channel) / **SUB OUT**: unbalanced line level output with RCA socket. It can be set to send either a copy of the output B audio signal or the same signal filtered by a low-pass filter (80 Hz) useful for connecting an active subwoofer.

**45 BUS** input (RJ45 socket): it needs to be linked to the BUS output of either the DMA 82/162 main unit (/ amplifier) or the previous DPA 162 amplifier.

**46 BUS** output (RJ45 socket): it needs to be linked to the BUS input of the next DPA 162 amplifier.

**47 Dip-switches** (down: off, up: ON)

When the **BUS / LOCAL 49** contacts are **open** (audio from the 4-channel BUS):

|   |                            |  |
|---|----------------------------|--|
| 1 | <b>BASS OFF / BASS ON</b>  | If set to BASS ON, it turns on the bass enhancer on all outputs  |
| 2 | <b>AUX / SUB</b>           | If set to SUB, the rear panel <b>OUT / SUB 43, 44</b> outputs are affected by a 80 Hz low-pass filter for connecting active subwoofers |
| 3 | <b>CHANNEL SELECTION A</b> | Audio output A channel selection (see the next table)  |
| 4 |                            |  |
| 5 | <b>CHANNEL SELECTION B</b> | Audio output B channel selection (see the next table)  |
| 6 |                            |  |

| Dip-switch 3 (A) or 5 (B) | Dip-switch 4 (A) or 6 (B) | Selected channel |
|---------------------------|---------------------------|------------------|
| off                       | off                       | BUS 1            |
| off                       | ON                        | BUS 2            |
| ON                        | off                       | BUS 3            |
| ON                        | ON                        | BUS 4            |

When the **BUS / LOCAL** 49 contacts are **shorted** (audio from the LOCAL IN only):

|   |                           |  |
|---|---------------------------|--|
| 1 | <b>BASS OFF / BASS ON</b> | If set to BASS ON, it turns on the bass enhancer on all outputs  |
| 2 | <b>AUX / SUB</b>          | If set to SUB, the rear panel <b>OUT / SUB</b> 43, 44 outputs are affected by a 80 Hz low-pass filter for connecting active subwoofers   |
| 3 | <b>not used</b>           |  |
| 4 | <b>not used</b>           |  |
| 5 | <b>not used</b>           |  |
| 6 | <b>M LOCAL / S LOCAL</b>  | If set to <b>M LOCAL</b> , <b>LOCAL IN</b> is <b>mono</b> (both channels are mixed and sent to both outputs). If set to <b>S LOCAL</b> , <b>LOCAL IN</b> is <b>stereo</b> (left channel to OUT A, right channel to OUT B). |

48 Blank panel to be removed when installing the optional RDNET board.

49 **BUS / LOCAL**(removable screw terminal block), logic input for dry contact:

When its contacts are open, DPA amplifier receives audio signals from the **BUS IN** 45 (and its LOCAL IN is muted).

When its contacts are shorted, DPA amplifier is directly linked to its **LOCAL IN** 41, 42 only.

50 **MUTE** (removable screw terminal block): remote mute command (a dry closing contact) active when its contacts are shorted.

51 **GAIN A**: turn it clockwise to increase the OUT A level or counterclockwise to reduce it.

52 **GAIN B**: turn it clockwise to increase the OUT B level or counterclockwise to reduce it.

**IMPORTANT NOTE:** BOTH CONTROL **GAIN A** AND **GAIN B** MUST BE SET TO THE SAME LEVEL WHEN THE TWO OUTPUT CHANNELS ARE BRIDGED (IN ORDER TO GET A SINGLE 70 V LINE).



### 53 **SPEAKER OUTPUTS**

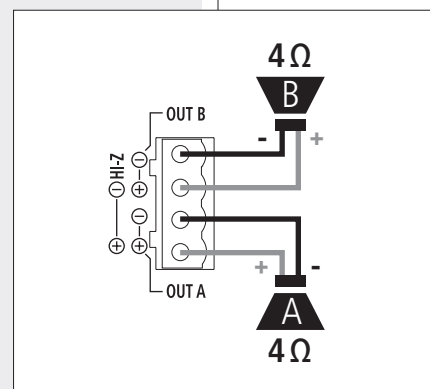
Connector: EUROBLOCK (removable screw terminal block).  
DPA amplifier speaker outputs allow either two channels for a low-impedance connections or a single 70 V line for speakers having matching transformers.

#### **TWO CHANNELS (A, B) LOW IMPEDANCE CONNECTION (4 Ω)**

Connect speakers as shown in the figure.

Minimum load impedance is 4 Ω per speaker output.

Delivered power: 2 x 160 W RMS @ 4 Ω

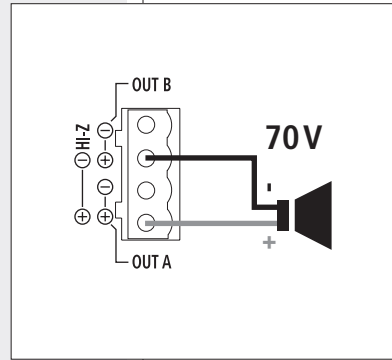


AN IMPEDANCE EQUAL TO 4 Ω ALLOWS TO GET THE MAX. POWER (160 W). A HIGHER IMPEDANCE LEADS TO A REDUCTION OF THE DELIVERED POWER (E.G. 8 Ω: CA. 80 W), AN IMPEDANCE LOWER THAN 4 Ω OVERLOADS THE AMPLIFIER.

**SINGLE 70 V LINE**

Connect the speaker line as shown in the figure.  
The two channels are bridged in order to get a single 70 V line.  
Do NOT connect the other two contacts.

All speakers shall have a matching transformer with 70 V input.  
The overall speaker power shall not exceed 320 W.



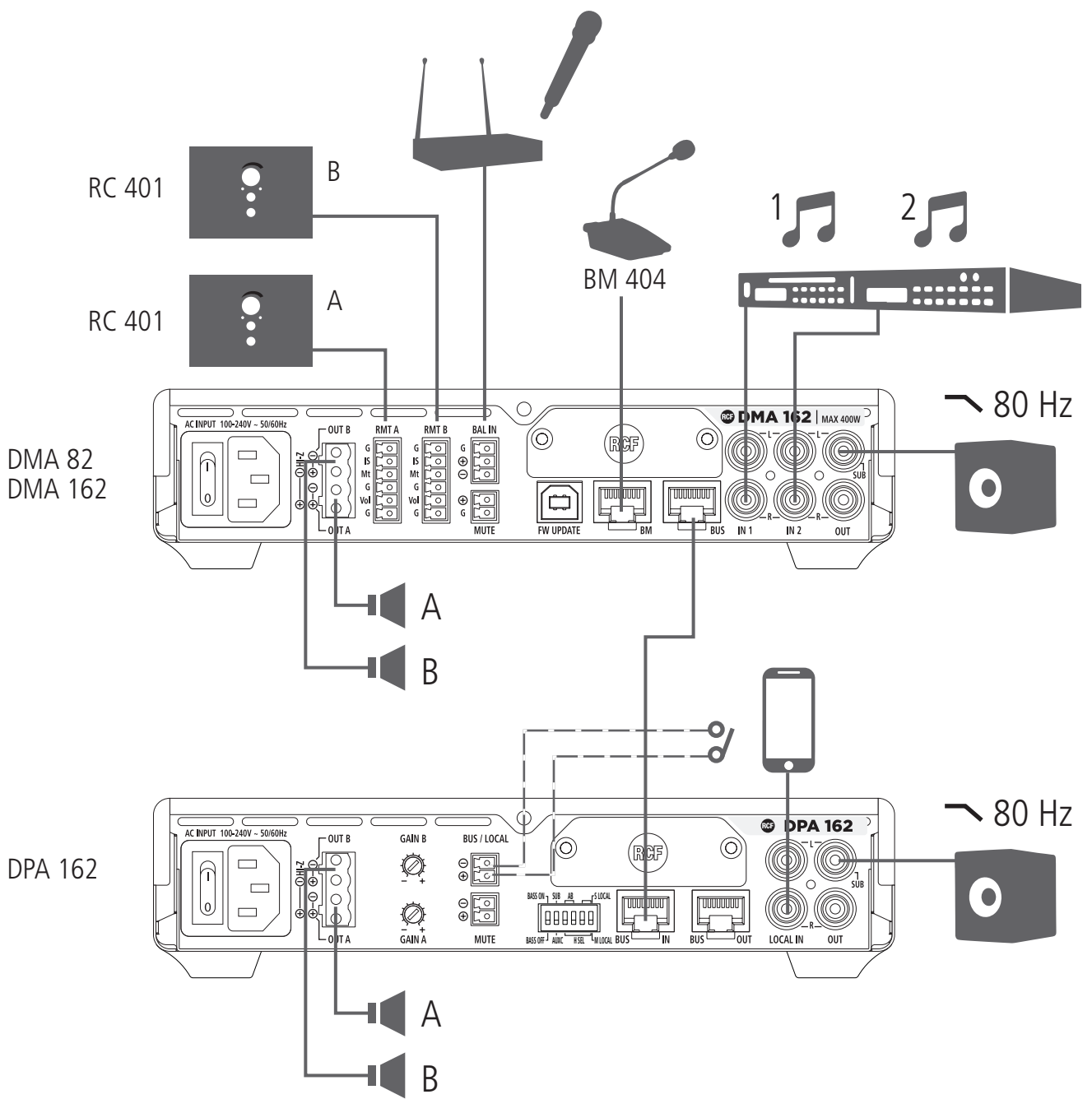
- 54 Power cord input  
Connect the power cord only to a mains socket outlet with a protective earthing connection.
- 55 Power switch: push to turn on (I) / off (O) the amplifier.

**SPECIFICATIONS**

|   | DMA 82        | DMA 162       | DPA 162           |
|---|---------------|---------------|-------------------|
| <b>AMPLIFIER</b>                              |               |               |                   |
| Amplifier class:                              | D             | D             | D                 |
| Channel number:                               | 2             | 2             | 2                 |
| Output power per channel @ 4 Ω:               | 80 W RMS      | 160 W RMS     | 160 W RMS         |
| Output power @ 70 V (bridged):                | 160 W RMS     | 320 W RMS     | 320 W RMS         |
| Frequency response (-3 dB):                   | 20 ÷ 20000 Hz | 20 ÷ 20000 Hz | 20 ÷ 20000 Hz     |
| Signal/noise ratio ('A' weighted):            | > 93 dB       | > 93 dB       | > 93 dB           |
| Distortion (THD+N)<br>@ 1 kHz, nominal power: | < 0.01%       | < 0.01%       | < 0.01%           |
| <b>AUDIO INPUTS</b>                           |               |               |                   |
| Audio input total number:                     | 4             | 4             | 5 (1 + 4-ch. bus) |
| L balanced / unbalanced:                      | 2 / 2         | 2 / 2         | 4 / 1             |
| L stereo / mono:                              | 2 / 2         | 2 / 2         | 1 / 4             |
| VOX function (on BAL IN):                     | Yes           | Yes           | -                 |
| Paging input:                                 | 1             | 1             | -                 |
| Paging input connector:                       | RJ45          | RJ45          | -                 |
| Paging command:                               | Contact       | Contact       | -                 |
| Logic inputs:                                 | MUTE          | MUTE          | MUTE, BUS / LOCAL |
| <b>AUDIO OUTPUT</b>                           |               |               |                   |
| OUT/SUB connectors:                           | RCA           | RCA           | RCA               |
| Speaker connectors:                           | Euroblock     | Euroblock     | Euroblock         |

|                                       | DMA 82   | DMA 162  | DPA 162  |
|---------------------------------------|--|--|--|
| <b>AUDIO SIGNAL PROCESSING</b>        |  |  | (set via 'RdNet')  |
| DSP:                                  | Yes  | Yes  | Yes  |
| EQ filter:                            | Yes  | Yes  | Yes  |
| FIR (finite impulse response filter): | Yes  | Yes  | Yes  |
| Bass enhancer:                        | Yes  | Yes  | Yes  |
| Tone controls:                        | Yes  | Yes  | Yes  |
| HP filter frequency:                  | 20 ÷ 200 Hz  | 20 ÷ 200 Hz  | 20 ÷ 200 Hz  |
| <b>SETTINGS</b>                       |  |  |  |
| Configuration from:                   | Front panel, PC software   | Front panel, PC software   | Dip-switches, PC software  |
| <b>PROTECTIONS</b>                    |  |  |  |
| Cooling:                              | Forced   | Forced   | Forced   |
| Short circuit:                        | Yes  | Yes  | Yes  |
| Thermal:                              | Yes  | Yes  | Yes  |
| DC:                                   | Yes  | Yes  | Yes  |
| Fuses:                                | Yes  | Yes  | Yes  |
| VHF (Very High Frequencies):          | Yes  | Yes  | Yes  |
| <b>POWER REQUIREMENT</b>              |  |  |  |
| Operating voltage:                    | 90÷240 V ac - 50/60 Hz   | 90÷240 V ac - 50/60 Hz   | 90÷240 V ac - 50/60 Hz   |
| Power consumption:                    | 200 W  | 400 W  | 400 W  |
| <b>STANDARD COMPLIANCE</b>            |  |  |  |
| CE marking:                           | Yes  | Yes  | Yes  |
| Energy Star:                          | Yes  | Yes  | Yes  |
| <b>PHYSICAL SPECIFICATIONS</b>        |  |  |  |
| Cabinet material:                     | Metal  | Metal  | Metal  |
| Colour:                               | Black  | Black  | Black  |
| Rack mounting:                        | 19" half a unit<br>(1U optional rack mounting<br>accessory required) | 19" half a unit<br>(1U optional rack mounting<br>accessory required) | 19" half a unit<br>(1U optional rack mounting<br>accessory required) |
| Height:                               | 44 mm / 1.73 inches  | 44 mm / 1.73 inches  | 44 mm / 1.73 inches  |
| Width:                                | 213 mm / 8.39 inches   | 213 mm / 8.39 inches   | 213 mm / 8.39 inches   |
| Depth:                                | 314 mm / 12.36 inches  | 314 mm / 12.36 inches  | 314 mm / 12.36 inches  |
| Net weight:                           | 3 kg / 6.61 lbs  | 3 kg / 6.61 lbs  | 3 kg / 6.61 lbs  |
| <b>SHIPPING INFORMATION</b>           |  |  |  |
| Package height:                       | 106 mm / 4.17 inches   | 106 mm / 4.17 inches   | 106 mm / 4.17 inches   |
| Package width:                        | 360 mm / 14.17 inches  | 360 mm / 14.17 inches  | 360 mm / 14.17 inches  |
| Package depth:                        | 381 mm / 15 inches   | 381 mm / 15 inches   | 381 mm / 15 inches   |
| Package weight:                       | 4 kg / 8.82 lbs  | 4 kg / 8.82 lbs  | 4 kg / 8.82 lbs  |
|                                       |  |  |  |
| Part number:                          | 12100026   | 12100027   | 12100028   |

# CONNECTION EXAMPLE







Prima di collegare ed utilizzare questo prodotto, leggere attentamente le istruzioni contenute in questo manuale, il quale è da conservare per riferimenti futuri.

Il presente manuale costituisce parte integrante del prodotto e deve accompagnare quest'ultimo anche nei passaggi di proprietà, per permettere al nuovo proprietario di conoscere le modalità d'installazione e d'utilizzo e le avvertenze per la sicurezza. L'installazione e l'utilizzo errati del prodotto esimono la RCF S.p.A. da ogni responsabilità.

Per prevenire i rischi di fiamme o scosse elettriche, non esporre mai questo prodotto alla pioggia o all'umidità; questo apparecchio è progettato per il solo uso all'interno.

### AVVERTENZE PER LA SICUREZZA

**1.** Tutte le avvertenze, in particolare quelle relative alla sicurezza, devono essere lette con particolare attenzione, in quanto contengono importanti informazioni.

#### 2. ALIMENTAZIONE DA RETE ELETTRICA

- La tensione di alimentazione dell'apparecchio ha un valore sufficientemente alto da costituire un rischio di folgorazione per le persone: non procedere mai all'installazione od alla connessione dell'apparecchio con il cavo dell'alimentazione collegato alla rete elettrica.
- Prima di alimentare questo prodotto, assicurarsi che tutte le connessioni siano corrette e che la tensione della vostra rete di alimentazione corrisponda quella di targa dell'apparecchio, in caso contrario rivolgersi ad un rivenditore RCF.
- Le parti metalliche dell'apparecchio sono collegate a terra tramite il cavo di alimentazione. Un apparecchio avente costruzione di CLASSE I deve essere connesso alla presa di rete con un collegamento alla terra di protezione.
- Accertarsi che il cavo di alimentazione dell'apparecchio non possa essere calpestato o schiacciato da oggetti, al fine di salvaguardarne la perfetta integrità.
- Per evitare il rischio di shock elettrici, non aprire mai l'apparecchio: all'interno non vi sono parti che possono essere utilizzate dall'utente.
- La spina del cavo d'alimentazione è utilizzata come dispositivo di scollegamento e deve rimanere sempre facilmente accessibile.

**3.** Impedire che oggetti o liquidi entrino all'interno del prodotto, perché potrebbero causare un corto circuito. L'apparecchio non deve essere esposto a stillicidio o a spruzzi d'acqua; nessun oggetto pieno di liquido (quali vasi) e nessuna sorgente di fiamma nuda (es. candele accese) deve essere posto sull'apparecchio.

**4.** Non eseguire sul prodotto interventi / modifiche / riparazioni se non quelle espressamente descritte sul manuale istruzioni. Contattare centri di assistenza autorizzati o personale altamente qualificato quando:

- l'apparecchio non funziona (o funziona in modo anomalo);
- il cavo di alimentazione ha subito gravi danni;
- oggetti o liquidi sono entrati nell'apparecchio;
- l'apparecchio ha subito forti urti.

**5.** Qualora questo prodotto non sia utilizzato per lunghi periodi, scollegare il cavo d'alimentazione dalla rete elettrica.

**6.** Nel caso che dal prodotto provengano odori anomali o fumo, **spegnere immediatamente e scollegare il cavo d'alimentazione.**

### IMPORTANTE



### ATTENZIONE





**7.** Non collegare a questo prodotto altri apparecchi e accessori non previsti.  
Per evitare il pericolo di cadute, non sovrapporre fra loro più unità di questo prodotto, quando questa possibilità non è espressamente contemplata dal manuale istruzioni.

**8. RCF S.p.A.** raccomanda vivamente che l'installazione di questo prodotto sia eseguita solamente da installatori professionali qualificati (oppure da ditte specializzate) in grado di farla correttamente e certificarla in accordo con le normative vigenti.

Tutto il sistema audio dovrà essere in conformità con le norme e le leggi vigenti in materia di impianti elettrici.

#### **9. Sostegni e Carrelli**

Se previsto, il prodotto va utilizzato solo su carrelli o sostegni consigliati dal produttore. L'insieme apparecchio-sostegno / carrello va mosso con estrema cura. Arresti improvvisi, spinte eccessive e superfici irregolari o inclinate possono provocare il ribaltamento dell'insieme.

**10.** Si devono considerare anche i fattori meccanici ed elettrici quando si installa un sistema audio professionale (oltre a quelli prettamente acustici, come la pressione sonora, gli angoli di copertura, la risposta in frequenza, ecc.).

#### **11. Perdita dell'udito**

L'esposizione ad elevati livelli sonori può provocare la perdita permanente dell'udito. Il livello di pressione acustica pericolosa per l'udito varia sensibilmente da persona a persona e dipende dalla durata dell'esposizione. Per evitare un'esposizione potenzialmente pericolosa ad elevati livelli di pressione acustica, è necessario che chiunque sia sottoposto a tali livelli utilizzi delle adeguate protezioni; quando si fa funzionare un trasduttore in grado di produrre elevati livelli sonori è necessario indossare dei tappi per orecchie o delle cuffie protettive.

Consultare i dati tecnici contenuti nei manuali istruzioni per conoscere le massime pressioni sonore che i diffusori acustici sono in grado di produrre.

**12.** Non ostruire le griglie di ventilazione dell'unità. Collocare il prodotto lontano da fonti di calore e garantire la circolazione dell'aria in corrispondenza delle griglie di aerazione.

**13.** Non sovraccaricare gli amplificatori; verificare che non vi sia una o più uscite in cortocircuito.

**14.** Non forzare mai gli organi di comando (tasti, manopole ecc.).

**15.** Non usare solventi, alcool, benzina o altre sostanze volatili per la pulitura delle parti esterne dell'unità, ma un panno asciutto.

#### **NOTA SUI CAVI PER SEGNALI AUDIO**

Per evitare fenomeni di rumorosità indotta sui cavi che trasportano segnali dai microfoni o di linea (per esempio 0dB), usare solo cavi schermati ed evitare di posarli nelle vicinanze di:

- apparecchiature che producono campi elettromagnetici di forte intensità;
- cavi di rete;
- linee che alimentano altoparlanti.

**RCF S.p.A. Vi ringrazia per l'acquisto di questo prodotto, realizzato in modo da garantirne l'affidabilità e prestazioni elevate.**

## INTRODUZIONE AI PRODOTTI DELLA LINEA BUSINESS MUSIC



La linea BUSINESS MUSIC include amplificatori e matrici digitali DMA 82 / DMA 162, amplificatori digitali DPA 162, basi microfoniche per annunci BM 404, controlli remoti e diffusori acustici, offrendo un sistema audio completo e massimizzando le prestazioni acustiche complessive.

Gli amplificatori DMA / DPA sono estremamente compatti (1/2 unità rack 19" in larghezza ed 1 unità in altezza), ideali per l'installazione su banco oppure a rack (con accessori opzionali) ed adatti per una vasta gamma di soluzioni di sistema, dai negozi al bar e ristoranti, sale riunioni, istruzione o strutture pubbliche e qualsiasi applicazione audio/video.

Il loro design accurato, unito alla solidità ambientale (grado di protezione IP 30 e dissipazione termica ad alta efficienza), rappresenta un punto di congiunzione tra i mercati professionali e quelli "consumer".

Questa linea include sia diffusori da soffitto sia da parete con prestazioni acustiche professionali ed un elevato design industriale. Sono presenti diversi livelli di configurazione, dal pannello di controllo frontale facile da usare alla rete RCF "RDNet" per sistemi grandi e complessi con un'architettura scalabile.

L'unità di controllo può inviare fino a quattro canali mono / due stereo ai satelliti tramite un singolo cavo CAT5. Ciò consente di aumentare la potenza installata e creare un'architettura per più ambienti con una semplice connessione tra i dispositivi.

## DMA 82 / DMA 162: DESCRIZIONE E CARATTERISTICHE PRINCIPALI



DMA 82 e DMA 162 sono amplificatori (con matrice) in classe D a due canali, entrambi dotati di una potente piattaforma DSP che consente di gestire gli ingressi e le uscite audio e l'equalizzazione (è disponibile un set completo di funzioni di elaborazione, inclusi equalizzatori parametrici, filtri FIR, un incremento delle basse frequenze "bass enhancer", limitatori, compressori ed equalizzazione ambientale); inoltre, sono stati implementati dei preset specifici per i diffusori acustici RCF in modo da ottimizzare le loro prestazioni acustiche.

I due modelli differiscono solo nella loro potenza d'uscita:

- DMA 82            2 canali x 80 W RMS su 4 Ω oppure una singola linea 70 V - 160 W;
- DMA 162        2 canali x 160 W RMS su 4 Ω oppure una singola linea 70 V - 320 W.

Ciascun amplificatore DMA può essere posto su banco oppure installato in un armadio rack 19" (grazie ad un accessorio opzionale).

Ogni unità ha 2 ingressi audio LINE stereo su connettori RCA, 1 ingresso audio bilanciato MIC o LINE su terminali a vite rimovibili e un'uscita audio LINE con filtro passa-basso (disinseribile) utile per il collegamento ad un subwoofer attivo.

Un ingresso dedicato con connettore RJ 45 permette la connessione di max. 4 basi microfoniche per annunci BM 404 (collegate in cascata sulla stessa linea ed interbloccate tra loro).

Un controllo remoto RC 401 (da parete) può essere collegato per ciascun canale d'uscita in modo da regolarne il livello di volume e per la selezione dell'ingresso audio desiderato.

L'unità centrale DMA può inviare fino a 4 canali audio a quelle satelliti DPA tramite un BUS con un singolo cavo CAT5, combinando un'architettura per più ambienti flessibile e scalabile e con una connessione ed installazione semplici.

La sua configurazione è intuitiva e può essere eseguita tramite i controlli del pannello anteriore (con display OLED) o "RDNet" (quando la scheda opzionale è installata).

## DPA 162: DESCRIZIONE E CARATTERISTICHE PRINCIPALI



DPA 162 è un amplificatore in classe D a due canali.

Potenza d'uscita: 2 canali x 160 W RMS su 4  $\Omega$  oppure una singola linea 70 V - 320 W.

È possibile collegare fino a quattro DPA 162 ad un singolo DMA per aumentare la potenza d'uscita del sistema ed implementare architetture per più ambienti; tuttavia, ciascun DPA può essere utilizzato anche come amplificatore autonomo.

Ciascun amplificatore DPA può essere posto su banco oppure installato in un armadio rack 19" (grazie ad un accessorio opzionale).

DPA 162 può ricevere segnali audio processati da un amplificatore DMA tramite BUS audio a quattro canali (quattro mono od uno stereo e due mono o due stereo, i quattro segnali sono gli stessi inviati agli amplificatori DMA), od in alternativa, è possibile selezionare l'ingresso LINE stereo locale (cortocircuitando il contatto dedicato).

È disponibile anche un'uscita LINE, con un filtro passa-basso per la connessione ad un subwoofer attivo.

La sua configurazione può essere eseguita tramite i dip-switch sul pannello posteriore oppure la rete "RDNet" (quando è installata la scheda opzionale).

## DISIMBALLAGGIO, INSTALLAZIONE E RAFFREDDAMENTO



Controllare l'imballo ed il suo contenuto e verificare se c'è qualche segno di danno (se l'amplificatore è danneggiato, informare immediatamente il proprio distributore / rivenditore locale e lo spedizioniere).

È sempre consigliabile conservare i materiali d'imballaggio, anche se l'amplificatore è arrivato in buone condizioni; il cavo d'alimentazione è incluso.

Gli amplificatori DMA / DPA possono essere installati in un armadio rack da 19" (è richiesto un accessorio opzionale per ogni coppia, poiché ogni amplificatore richiede metà unità rack).

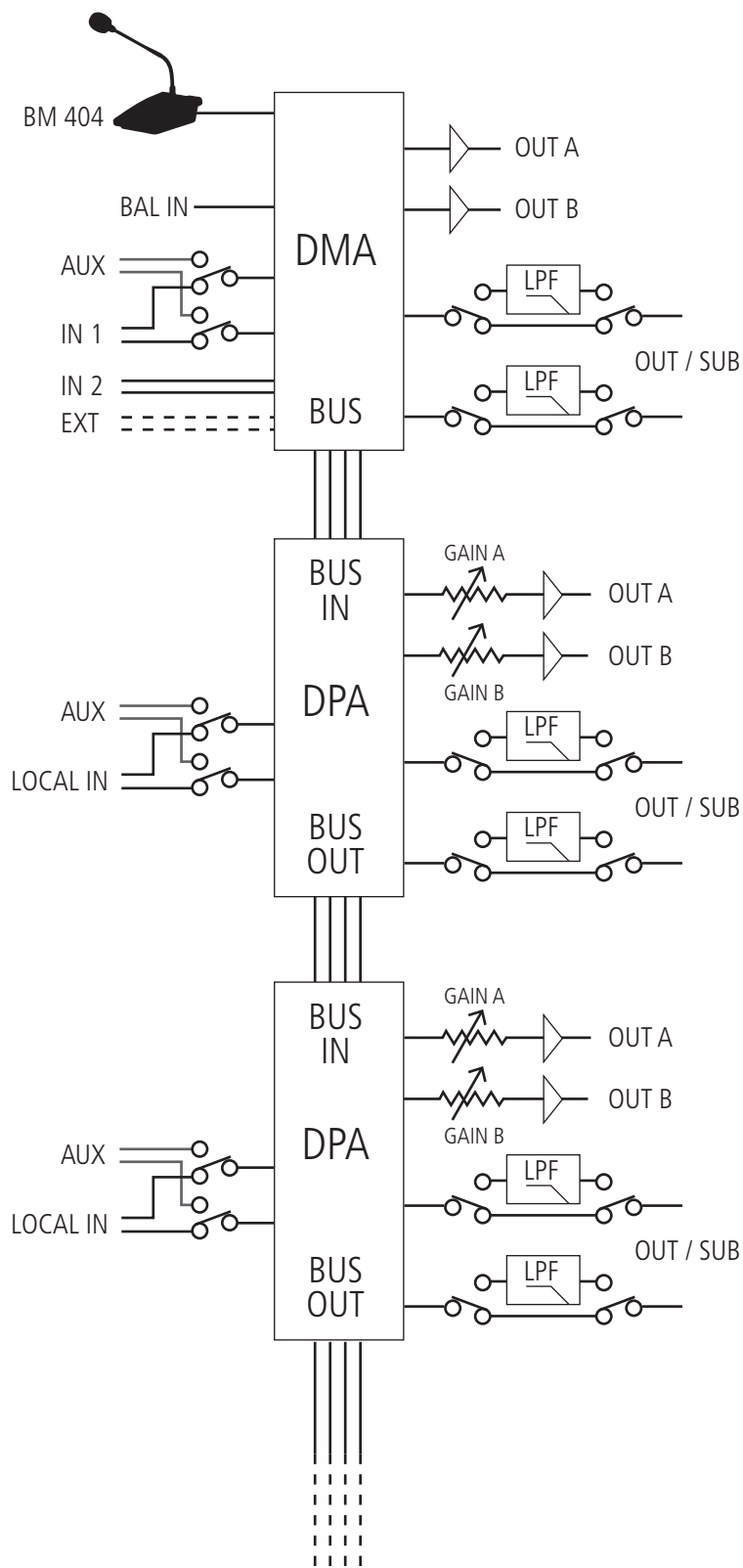
Gli amplificatori non dovrebbero essere installati in un luogo con:

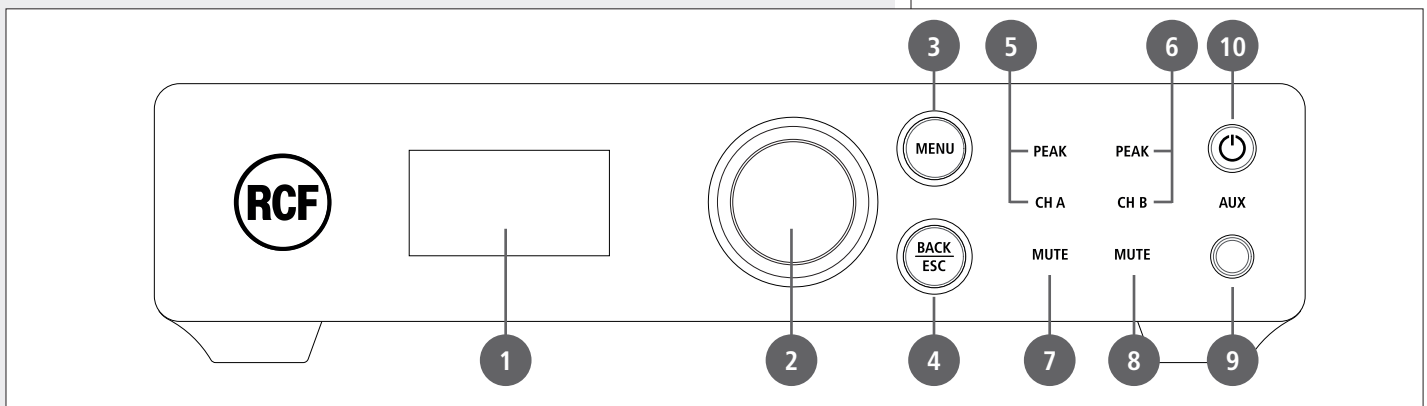
- temperatura troppo elevata, polvere o umidità eccessiva;
- ventilatori per il ricambio d'aria;
- vibrazioni permanenti;
- campi elettromagnetici ad alta intensità (dovuti a trasformatori, trasmettitori, ecc.).

Assicurarsi che vi sia una ventilazione adeguata e che ai lati dell'amplificatore vi sia uno spazio sufficiente.

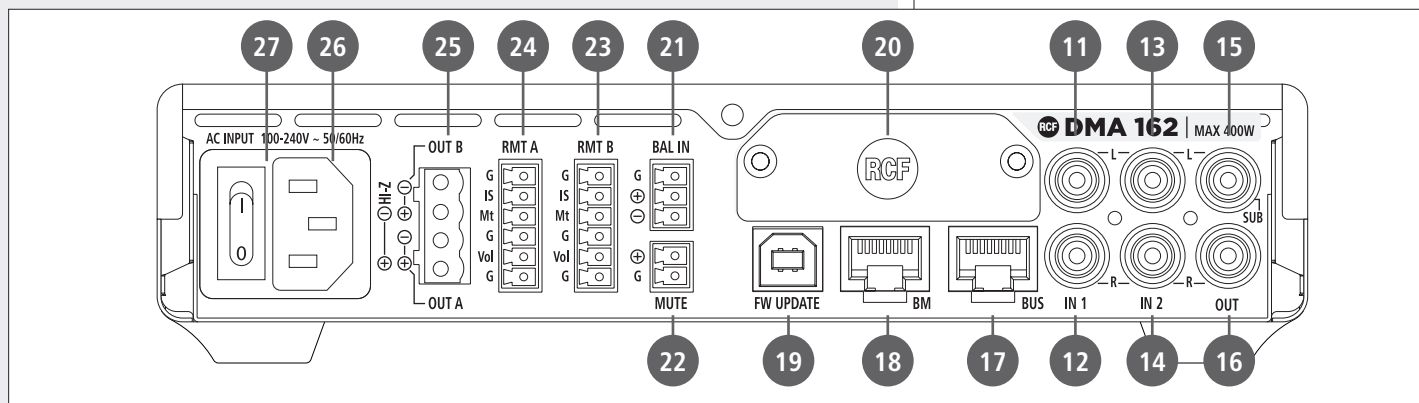
La temperatura all'interno dell'armadio rack deve essere mantenuta al di sotto dei 35°C.

Per motivi di sicurezza, non togliere mai la messa a terra del cavo di alimentazione. Utilizzare cavi audio schermati per evitare ronzii e interferenze.





- 1** Display (OLED)  
Quando nessun menù è selezionato, i livelli correnti dei segnali audio d'uscita sono visualizzati come barre.
- 2** Encoder rotativo e pulsante per selezionare.  
Ruotare l'encoder in senso orario per aumentare il volume principale (MASTER VOLUME) o in senso antiorario per diminuirlo.  
Premerlo per mettere tutto in "mute" (disattivato) o ripristinare il suono.  
All'interno di un menù (dopo aver premuto **MENU** **3**): ruotare l'encoder in senso orario per far scorrere il menu verso il basso o aumentare il valore del parametro selezionato, ruotarlo in senso antiorario per far scorrere il menu verso l'alto o diminuire il valore del parametro selezionato.  
Premere per selezionare (ed eventualmente entrare in un sottomenù).
- 3** Tasto **MENU**: premere per accedere al menù principale (HOME) nella modalità di modifica dei parametri.
- 4** Tasto **BACK / ESC**: premere per uscire dal menù visualizzato sul display.
- 5** **CH A / PEAK** (due LED): CH A si accende quando è presente un segnale sul canale A. PEAK lampeggia quando il livello del segnale del canale A raggiunge il punto di clipping, causando l'intervento del limitatore interno; se acceso fisso, il livello è eccessivo e deve essere ridotto.
- 6** **CH B / PEAK** (due LED): CH B si accende quando è presente un segnale sul canale B. PEAK lampeggia quando il livello del segnale del canale B raggiunge il punto di clipping, causando l'intervento del limitatore interno; se acceso fisso, il livello è eccessivo e deve essere ridotto.
- 7** **CH A MUTE (LED)**: quando è acceso, l'uscita del canale A è disattivata.
- 8** **CH B MUTE (LED)**: quando è acceso, l'uscita del canale B è disattivata.
- 9** Ingresso audio **AUX** (jack stereo TRS da 3,5 mm).  
Se un connettore jack è inserito in questo ingresso, l'ingresso **IN 1** **11**, **12** posteriore è disabilitato.
- 10** Tasto **STAND-BY** con LED: premere per attivare o mettere in "stand-by" l'amplificatore.  
Il LED si accende bianco quando l'amplificatore è in funzione, rosso quando è in stand-by.



11 Ingresso audio **IN 1** (canale sinistro): ingresso di linea sbilanciato con presa RCA.

12 Ingresso audio **IN 1** (canale destro): ingresso di linea sbilanciato con presa RCA.

SE UN CONNETTORE JACK È INSERITO NELL'INGRESSO **AUX** 9 DEL PANNELLO FRONTALE, L'INGRESSO **IN 1** 11, 12 SUL RETRO È MOMENTANEAMENTE DISABILITATO.

13 Ingresso audio **IN 2** (canale sinistro): ingresso di linea sbilanciato con presa RCA.

14 Ingresso audio **IN 2** (canale destro): ingresso di linea sbilanciato con presa RCA.

15 Uscita audio **OUT** (canale sinistro) / **SUB**: uscita di linea sbilanciata con presa RCA. Può essere impostata per inviare una copia del segnale audio presente all'uscita A (BUS 1; canale sinistro se stereo) o lo stesso segnale filtrato da un filtro passa-basso (80 Hz) utile per collegare un subwoofer attivo.

16 Uscita audio **OUT** (canale destro) / **SUB**: uscita di linea sbilanciata con presa RCA. Può essere impostata per inviare una copia del segnale audio presente all'uscita B (BUS 2; canale destro se stereo) o lo stesso segnale filtrato da un filtro passa-basso (80 Hz) utile per collegare un subwoofer attivo.

17 Uscita **BUS** (presa RJ45): deve essere collegata all'ingresso BUS del primo amplificatore DPA 162 (se presente).



| CONTATTO | USCITA AUDIO BUS | COLORE CONDUTTORE (T568B) |
|----------|------------------|---------------------------|
| 1        | 1 -              | biancoarancio             |
| 2        | 1 +              | arancio                   |
| 3        | 2 -              | biancoverde               |
| 4        | 3 -              | blu                       |
| 5        | 3 +              | biancoblù                 |
| 6        | 2 +              | verde                     |
| 7        | 4 -              | biancomarrone             |
| 8        | 4 +              | marrone                   |

**18 BM:** ingresso (presa RJ45) per le basi microfoniche BM 404.

Fino a quattro basi microfoniche BM 404 possono essere collegate in cascata (sulla stessa linea).

| CONTATTO | DESCRIZIONE          | COLORE CONDUTTORE (T568B) |
|----------|----------------------|---------------------------|
| 1        | SEGNALE AUDIO –      | biancoarancio             |
| 2        | SEGNALE AUDIO +      | arancio                   |
| 3        | MASSA                | biancoverde               |
| 4        | ABILITAZIONE ANNUNCI | blu                       |
| 5        | SELEZIONE ZONA A     | biancoblù                 |
| 6        | SELEZIONE ZONA B     | verde                     |
| 7        | SELEZIONE ZONA C     | biancomarrone             |
| 8        | SELEZIONE ZONA D     | marrone                   |

In alternativa (quando non sono presenti basi microfoniche BM 404), questa presa può essere utilizzata anche come ingresso audio ausiliario aggiuntivo collegando solo i primi tre contatti.

**19 FW UPDATE:** porta USB (tipo B) per collegare localmente un computer (PC).

Questa porta può essere utilizzata per controllare l'amplificatore tramite il software RDNET oppure per aggiornare il firmware.

**20** Pannello cieco da rimuovere durante l'installazione della scheda opzionale RDNET.

**21 BAL IN:** ingresso audio bilanciato con morsettiera a vite rimovibile.

È dotato della funzione VOX: la rilevazione della presenza di un segnale al suo ingresso ne determina automaticamente la priorità.

|   |                 |
|---|-----------------|
| G | massa           |
| + | segnale audio + |
| – | segnale audio – |

**22 MUTE:** ingresso per contatto pulito per la messa in "mute" (quando cortocircuitato); morsettiera a vite estraibile.

**23 RMT B:** ingresso (morsettiera a vite rimovibile) per un controllo remoto RC 401 opzionale, che consente di selezionare la sorgente di ingresso desiderata e di regolare il volume dell'uscita **OUT B** **25** o di metterla in "mute"; vedere **RMT A** **24** per l'elenco dei contatti.

Non è utilizzabile quando l'amplificatore DMA è impostato nella modalità STEREO o BRIDGE.

**24 RMT A:** ingresso (morsettiera a vite rimovibile) per un controllo remoto RC 401 opzionale, che consente di selezionare la sorgente di ingresso desiderata e di regolare il volume dell'uscita **OUT A** **25** (o di metterla in "mute") oppure di entrambe le uscite quando l'amplificatore DMA è impostato nella modalità STEREO o della singola linea a 70 V se nella modalità BRIDGE.

|     |                    |
|-----|--------------------|
| G   | massa              |
| Is  | selezione ingresso |
| Mt  | "mute"             |
| G   | massa              |
| Vol | volume             |
| G   | massa              |

**25 USCITE ALTOPARLANTI**

Le uscite per altoparlanti dell'amplificatore DMA consentono connessioni a bassa impedenza su due canali oppure una singola linea da 70 V per diffusori acustici con trasformatore.

Connettore: EUROBLOCK (morsettieria a vite rimovibile).

**DUE CANALI (A, B) COLLEGAMENTO A BASSA IMPEDENZA (4 Ω)**

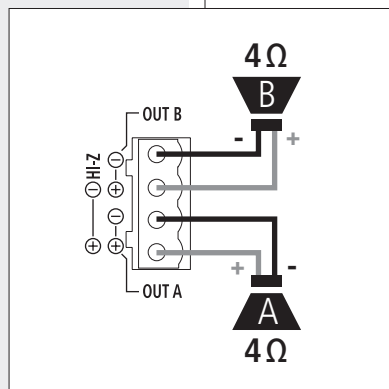
Collegare gli altoparlanti come mostrato in figura.

Impedenza minima del carico: 4 Ω per canale.

POTENZA EROGATA

**DMA 82:** 2 x 80 W RMS su 4 Ω

**DMA 162:** 2 x 160 W RMS su 4 Ω



UN'IMPEDENZA PARI A 4 Ω CONSENTE DI OTTENERE LA MASSIMA POTENZA (80/160 W).

UN'IMPEDENZA PIÙ ELEVATA PORTA A UNA RIDUZIONE DELLA POTENZA EROGATA (AD ES. 8 Ω: CIRCA 40/80 W);

UN'IMPEDENZA INFERIORE A 4 Ω SOVRACCARICA L'AMPLIFICATORE.

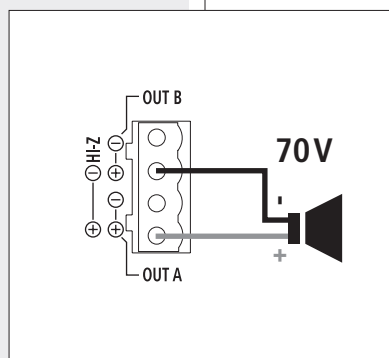
**SINGOLA LINEA 70 V**

Collegare la linea per altoparlanti come mostrato in figura.

**I due canali sono messi "a ponte" tramite l'impostazione del parametro MODALITÀ BRIDGE su ON nel menù** (vedere le successive sezioni del manuale "DMA 82 / DMA 162: modalità di funzionamento" e "DMA 82 / DMA 162: impostazioni") in modo da ottenere una singola linea a 70 V.

NON collegare gli altri due contatti. Tutti i diffusori acustici dovranno avere un trasformatore con ingresso 70 V.

La potenza totale complessiva dei diffusori acustici non dovrà eccedere il valore di 160 W (DMA 82) o 320 W (DMA 162).

**26 Ingresso per il cavo d'alimentazione**

Collegare il cavo d'alimentazione solo ad una presa di corrente avente la messa a terra.

**27 Interruttore principale:** premere per accendere (I) oppure spegnere (O) l'amplificatore.

## DMA 82 / DMA 162: MODALITÀ DI FUNZIONAMENTO



Dopo aver inserito la password corretta (menù: IMPOSTAZIONI > PASSWORD), è possibile impostare la modalità di funzionamento tra le opzioni: mono, stereo, bridge.

Per scegliere la modalità STEREO, selezionare il parametro MODALITÀ STEREO ed impostarlo su ON; per scegliere la modalità BRIDGE ("a ponte", singola linea a 70 V), selezionare il parametro MODALITÀ BRIDGE ed impostarlo su ON.

I due parametri MODALITÀ STEREO e MODALITÀ BRIDGE si escludono a vicenda: attivandone uno, l'altro si disattiva automaticamente; per la modalità MONO, lasciare entrambi i parametri su OFF.

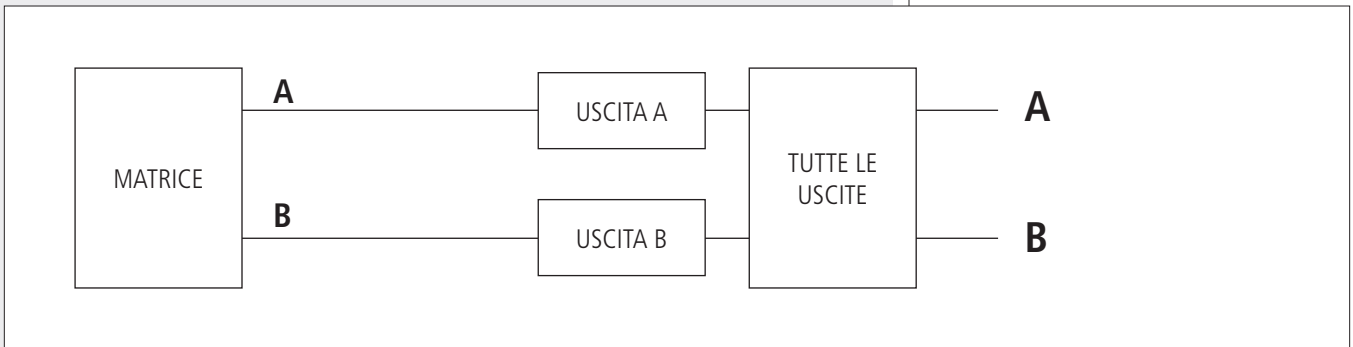


## DIAGRAMMA A BLOCCHI DEI CONTROLLI DI VOLUME DELLE USCITE

NOTA: **TUTTE LE USCITE** È SEMPRE IL VOLUME PRINCIPALE ("MASTER") COMUNE DELLE USCITE.

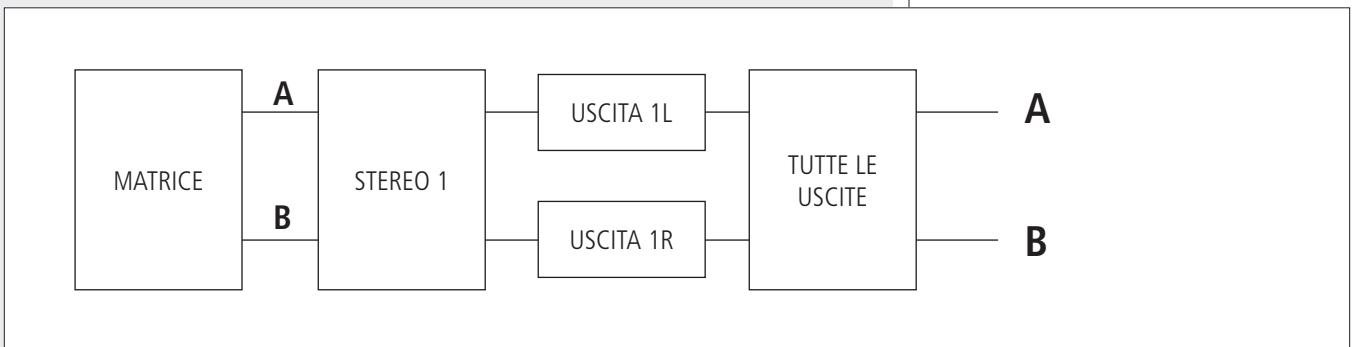


### MONO



Le due uscite A e B sono indipendenti e hanno controlli di volume separati:  
**USCITA A** e **USCITA B**.

### STEREO

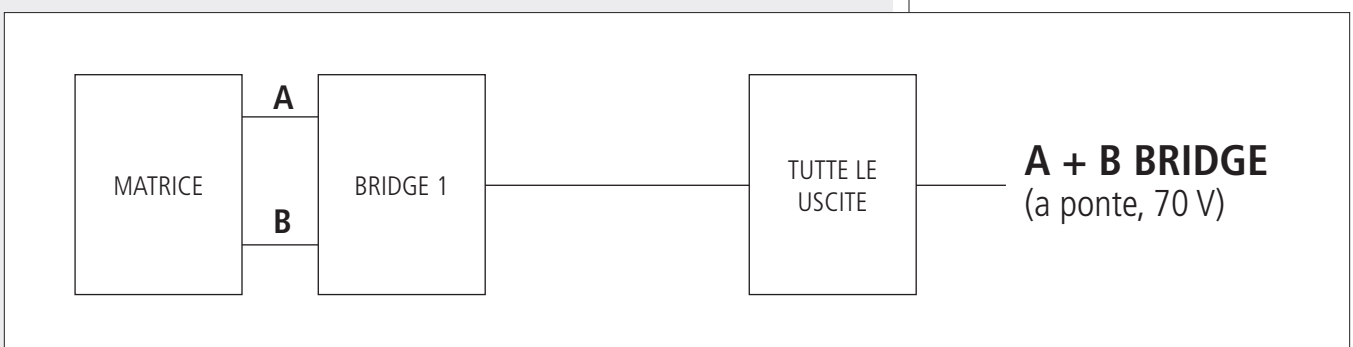


L'amplificatore DMA può gestire ingressi stereo.

**STEREO1** è il volume comune per entrambi i canali sinistro (A) e destro (B).

**USCITA 1L** e **USCITA 1R** sono i controlli di volume per i singoli canali (utili per il bilanciamento).

### BRIDGE ("a ponte")



Le due uscite sono messe "a ponte" in modo da ottenere una singola linea a 70 V (mono).

**BRIDGE1** è il controllo comune di volume.



Premere il tasto **MENU** **3** del pannello frontale per accedere al menù principale (HOME).

Ruotare l'encoder **2** in senso orario per scorrere il menu verso il basso od aumentare il valore del parametro selezionato, ruotarlo in senso antiorario per scorrere il menu verso l'alto o ridurre il valore del parametro selezionato.

Premere l'encoder **2** per selezionare (od entrare eventualmente in un sottomenù).

Premere il tasto **BACK / ESC** **4** per uscire dal menù visualizzato sul display.

Tutti i parametri evidenziati qui in grigio sono disponibili solo dopo aver inserito (nel menù delle impostazioni) la password corretta (codice di 4 cifre: **7471**).

Tutti gli ingressi audio evidenziati qui in grigio sono disponibili solo dopo aver impostato il parametro **MOD. AVANZATA** (nel menù delle impostazioni) su **ON**.

#### NOTE:

- IN MODALITÀ STEREO, TUTTI GLI INGRESSI STEREO (IN 1, IN 2, EXT) SONO INVIATI IN STEREO ALLE USCITE PRINCIPALI A, B E OUT / SUB;
- GLI INGRESSI BAL IN E BM SONO SEMPRE INVIATI IN MONO A TUTTE LE USCITE;
- NEL MODO AVANZATO, INGRESSI MONO SEPARATI COME IN 1L, IN 1R, IN 2L, IN 2R, EXT L E EXT R, QUANDO INVIATI AD UN'USCITA STEREO, SONO ATTIVI SOLO NEL RISPETTIVO CANALE (QUELLO SINISTRO PER GLI INGRESSI "L", QUELLO DESTRO PER GLI INGRESSI "R") E DISABILITATI NELL'ALTRO.

#### HOME (in modalità mono)

|                 |   |
|-----------------|---|
| USCITA A        | si accede al menù <b>USCITA</b> per la sola uscita <b>A</b> |
| USCITA B        | si accede al menù <b>USCITA</b> per la sola uscita <b>B</b> |
| TUTTE LE USCITE | si accede al menù <b>TUTTE LE USCITE</b>                    |
| INGRESSI        | si accede al menù <b>INGRESSI</b>                           |
| USCITE BUS      | si accede al menù <b>USCITE BUS</b>                         |
| IMPOSTAZIONI    | si accede al menù <b>IMPOSTAZIONI</b>                       |

#### HOME (in modalità stereo)

|                 |  |
|-----------------|--|
| STEREO1         | si accede al menù <b>STEREO1</b>                                       |
| USCITA 1L       | si accede al menù <b>USCITA</b> per il solo canale sinistro (uscita A) |
| USCITA 1R       | si accede al menù <b>USCITA</b> per il solo canale destro (uscita B)   |
| TUTTE LE USCITE | si accede al menù <b>TUTTE LE USCITE</b>                               |
| INGRESSI        | si accede al menù <b>INGRESSI</b>                                      |
| USCITE BUS      | si accede al menù <b>USCITE BUS</b>                                    |
| IMPOSTAZIONI    | si accede al menù <b>IMPOSTAZIONI</b>                                  |

#### HOME (in modalità bridge, uscita 70 V)

|                 |  |
|-----------------|--|
| BRIDGE1         | si accede al menù <b>BRIDGE1</b>         |
| TUTTE LE USCITE | si accede al menù <b>TUTTE LE USCITE</b> |
| INGRESSI        | si accede al menù <b>INGRESSI</b>        |
| USCITE BUS      | si accede al menù <b>USCITE BUS</b>      |
| IMPOSTAZIONI    | si accede al menù <b>IMPOSTAZIONI</b>    |

| MENÙ USCITA      |  |
|------------------|--|
| VOLUME           | regola il livello del volume dell'uscita selezionata   |
| MUTE             | silenza (ON) o ripristina (OFF) l'uscita selezionata   |
| SEL. INGRESSO    | seleziona l'ingresso audio tra: IN 1, IN 2, EXT (ingresso riservato per schede opzionali), BAL IN, BM (se usato come ingresso aux), IN 1L, IN 1R, IN 2L, IN 2R, EXT L, EXT R |
| MODALITÀ STEREO  | attiva (ON) o disattiva (OFF) la modalità STEREO   |
| MODALITÀ BRIDGE  | attiva (ON) o disattiva (OFF) la modalità BRIDGE   |
| PRESET DIFFUSORI | seleziona il preset adatto per i diffusori acustici utilizzati   |
| FILTRO P-ALTO    | selezione della frequenza di taglio del filtro passa-alto sull'uscita  |
| ENFASI BASSI     | attiva (ON) o disattiva (OFF) l'enfatizzazione delle basse frequenze   |
| EQ. PARAMETRICI  | si accede ad un sottomenù che include due equalizzatori parametrici; selezionarne uno per modificarne il GUADAGNO, la FREQUENZA e Q (fattore di merito)                      |
| POLARITÀ         | inverte (se impostato su ON) la polarità del segnale   |

| MENÙ STEREO1 (in modalità stereo) |  |
|-----------------------------------|--|
| VOLUME                            | regola il livello del volume di entrambe le uscite   |
| MUTE                              | silenza (ON) o ripristina (OFF) entrambe le uscite   |
| SEL. INGRESSO                     | seleziona l'ingresso audio tra: IN 1, IN 2, EXT (ingresso riservato per schede opzionali), BAL IN, BM (se usato come ingresso aux), IN 1L, IN 1R, IN 2L, IN 2R, EXT L, EXT R |
| MODALITÀ STEREO                   | attiva (ON) o disattiva (OFF) la modalità STEREO   |
| MODALITÀ BRIDGE                   | attiva (ON) o disattiva (OFF) la modalità BRIDGE   |

| MENÙ BRIDGE1 (in modalità bridge) |  |
|-----------------------------------|--|
| VOLUME                            | regola il livello del volume dell'uscita   |
| MUTE                              | silenza (ON) o ripristina (OFF) l'uscita (entrambi i canali)   |
| SEL. INGRESSO                     | seleziona l'ingresso audio tra: IN 1, IN 2, EXT (ingresso riservato per schede opzionali), BAL IN, BM (se usato come ingresso aux), IN 1L, IN 1R, IN 2L, IN 2R, EXT L, EXT R |
| MODALITÀ STEREO                   | attiva (ON) o disattiva (OFF) la modalità STEREO   |
| MODALITÀ BRIDGE                   | attiva (ON) o disattiva (OFF) la modalità BRIDGE   |
| PRESET DIFFUSORI                  | seleziona il preset adatto per i diffusori acustici utilizzati   |
| FILTRO P-ALTO                     | selezione della frequenza di taglio del filtro passa-alto sull'uscita  |
| ENFASI BASSI                      | attiva (ON) o disattiva (OFF) l'enfatizzazione delle basse frequenze   |
| EQ. PARAMETRICI                   | si accede ad un sottomenù che include due equalizzatori parametrici; selezionarne uno per modificarne il GUADAGNO, la FREQUENZA e Q (fattore di merito)                      |
| POLARITÀ                          | inverte (se impostato su ON) la polarità del segnale   |

| MENÙ TUTTE LE USCITE |  |
|----------------------|--|
| VOLUME               | regola il livello del volume (master) di tutte le uscite   |
| MUTE                 | silenza (ON) o ripristina (OFF) tutte le uscite  |
| SEL. INGRESSO        | seleziona l'ingresso audio tra: IN 1, IN 2, EXT (ingresso riservato per schede opzionali), BAL IN, BM (se usato come ingresso aux), IN 1L, IN 1R, IN 2L, IN 2R, EXT L, EXT R |

**MENÙ INGRESSI**

Dopo essere entrati nel menù degli ingressi audio, selezionarne uno tra IN 1, IN 2, EXT (ingresso riservato per schede opzionali), BAL IN, BM, IN 1L, IN 1R, IN 2L, IN 2R, EXT L o EXT R per modificarne i parametri:

|  |  |
|--|--|
| VOLUME   | regola il livello dell'ingresso selezionato  |
| EQ. A 3 BANDE  | permette di regolare BASSI, MEDI, ALTI   |
| Dopo aver scelto BAL IN, sono disponibili ulteriori tre parametri: |  |
| LIVELLO LINE/MIC   | imposta il livello dell'ingresso BAL IN come LINE oppure MIC   |
| VOX  | attiva (se impostato su ON) la funzione VOX (priorità automatica quando è rilevato un segnale audio all'ingresso BAL IN) ed è possibile impostare il livello di soglia |
| POLARITÀ   | inverte (se impostato su ON) la polarità del segnale (solo BAL IN)   |

**MENÙ USCITE BUS**

Dopo essere entrati nel menù delle uscite BUS, selezionare un CANALE (1, 2, 3, 4) oppure SUB /AUX.

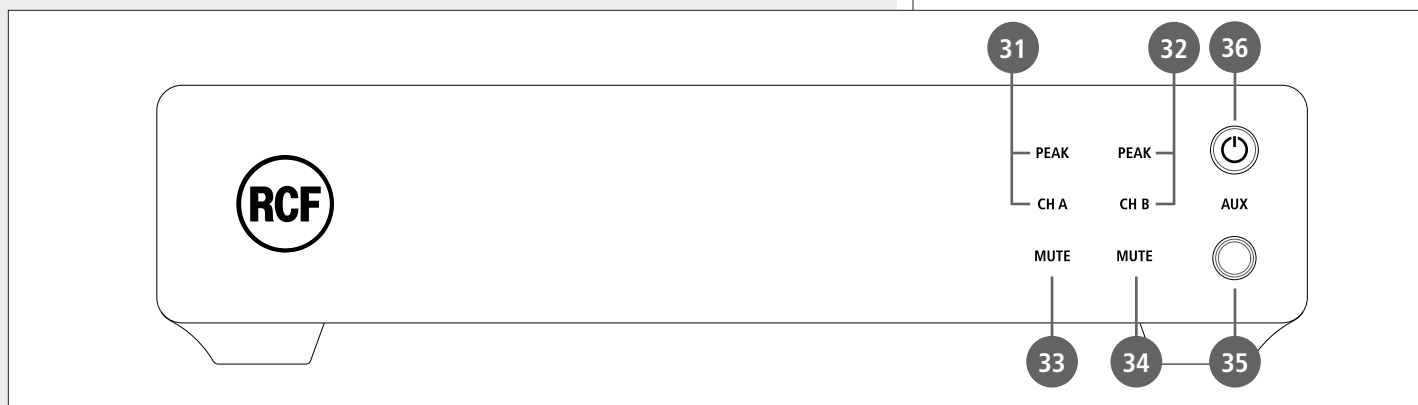
Dopo aver selezionato uno dei canali, si accede ad un sottomenù:

|          |   |
|----------|---|
| VOLUME   | regola il livello del volume del canale selezionato                   |
| MUTE     | silenzia (ON) o ripristina (OFF) il canale selezionato                |
| EQ. FLAT | se impostato su ON, disattiva l'equalizzazione nel canale selezionato |

Dopo aver selezionato SUB / AUX, è possibile attivare o disattivare la funzione SUB delle uscite posteriori **OUT / SUB** 15, 16. Se impostato su ON, sulle uscite è inserito un filtro passa-basso a 80 Hz, utile per il collegamento di subwoofer attivi.

**MENÙ IMPOSTAZIONI**

|                  |   |
|------------------|---|
| PASSWORD         | permette di inserire il codice a 4 cifre ( <b>7471</b> ) per accedere a tutti i parametri   |
| NOMI USCITE      | permette di assegnare nuovi nomi alle uscite A e B nei menù   |
| IMP. DI FABBRICA | permette di ripristinare le impostazioni di fabbrica  |
| LINGUA           | permette di scegliere la lingua per i menù del display  |
| MOD. AVANZATA    | se impostato su OFF (default), gli ingressi IN 1, IN 2 e EXT sono considerati solo come coppie stereo; se impostato su ON, sono possibili ulteriori opzioni |



**31 CH A / PEAK** (due LED): CH A si accende quando è presente un segnale sul canale A. PEAK lampeggia quando il livello del segnale del canale A raggiunge il punto di clipping, causando l'intervento del limitatore interno; se acceso fisso, il livello è eccessivo e deve essere ridotto.

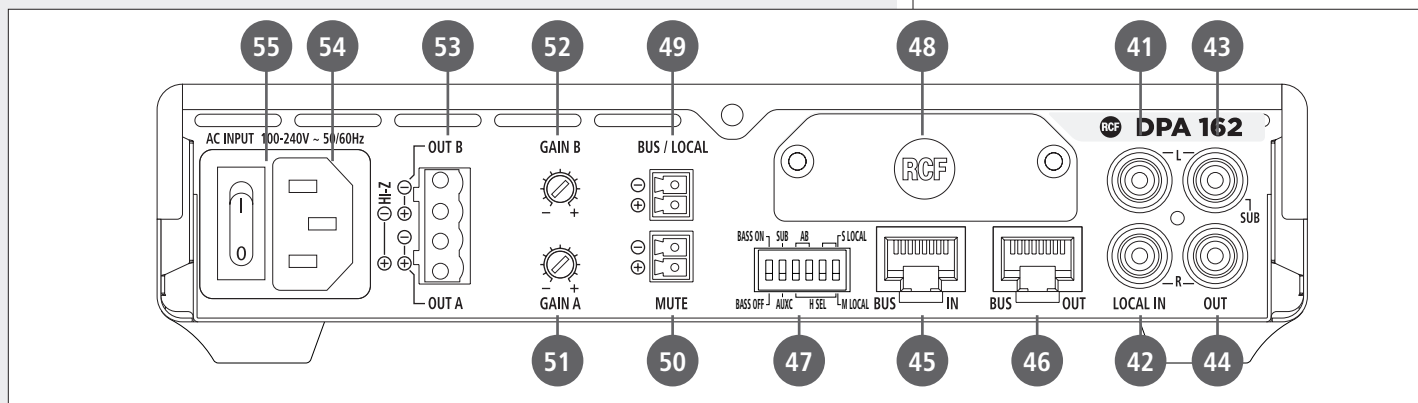
**32 CH B / PEAK** (due LED): CH B si accende quando è presente un segnale sul canale B. PEAK lampeggia quando il livello del segnale del canale B raggiunge il punto di clipping, causando l'intervento del limitatore interno; se acceso fisso, il livello è eccessivo e deve essere ridotto.

**33 CH A MUTE** (LED): quando è acceso, l'uscita del canale A è disattivata.

**34 CH B MUTE** (LED): quando è acceso, l'uscita del canale B è disattivata.

**35** Ingresso audio **AUX** (jack stereo TRS da 3,5 mm): se un connettore jack è inserito, l'ingresso **LOCAL IN** 41, 42 posteriore è disabilitato; l'attivazione si effettua ponendo in cortocircuito i contatti dell'ingresso logico **BUS / LOCAL** 49.

**36** Tasto **STAND-BY** con LED: premere per attivare o mettere in "stand-by" l'amplificatore. Il LED si accende bianco quando l'amplificatore è in funzione, rosso quando è in stand-by.



41 Ingresso audio **LOCAL IN** (canale sinistro): ingresso di linea sbilanciato con presa RCA, utile per il collegamento di una sorgente musicale locale; l'attivazione si effettua ponendo in cortocircuito i contatti dell'ingresso logico **BUS / LOCAL** 49.

42 Ingresso audio **LOCAL IN** (canale destro): ingresso di linea sbilanciato con presa RCA, utile per il collegamento di una sorgente musicale locale; l'attivazione si effettua ponendo in cortocircuito i contatti dell'ingresso logico **BUS / LOCAL** 49.

SE UN CONNETTORE JACK È INSERITO NELL'INGRESSO **AUX** 35 DEL PANNELLO FRONTALE, L'INGRESSO **LOCAL IN** 41, 42 SUL RETRO È MOMENTANEAMENTE DISABILITATO.



43 Uscita audio **OUT** (canale sinistro) / **SUB**: uscita di linea sbilanciata con presa RCA. Può essere impostata per inviare una copia del segnale audio presente all'uscita A o lo stesso segnale filtrato da un filtro passa-basso (80 Hz) utile per collegare un subwoofer attivo.

44 Uscita audio **OUT** (canale destro) / **SUB**: uscita di linea sbilanciata con presa RCA. Può essere impostata per inviare una copia del segnale audio presente all'uscita B o lo stesso segnale filtrato da un filtro passa-basso (80 Hz) utile per collegare un subwoofer attivo.

45 Ingresso **BUS IN** (presa RJ45): si collega all'uscita BUS dell'amplificatore DMA 82/162 o del precedente DPA 162.

46 Uscita **BUS OUT** (presa RJ45): si collega all'ingresso BUS del successivo DPA 162.

47 Selettori **dip-switch** (giù: off, su: ON)

Quando i contatti **BUS / LOCAL** 49 sono **aperti** (audio dal BUS a 4 canali):

|   |                           |   |
|---|---------------------------|---|
| 1 | <b>BASS OFF / BASS ON</b> | Se impostato su BASS ON, si enfatizzano le basse frequenze su tutte le uscite   |
| 2 | <b>AUX / SUB</b>          | Se impostato su SUB, sulle uscite posteriori <b>OUT / SUB</b> 43, 44 è inserito un filtro passa-basso a 80 Hz, utile per la connessione di subwoofer attivi |
| 3 | <b>CH SEL A</b>           | Selezione del canale da assegnare all'uscita A (vedere la tabella successiva)   |
| 4 |                           |   |
| 5 | <b>CH SEL B</b>           | Selezione del canale da assegnare all'uscita B (vedere la tabella successiva)   |
| 6 |                           |   |

| Dip-switch 3 (A) o 5 (B) | Dip-switch 4 (A) o 6 (B) | Canale selezionato |
|--------------------------|--------------------------|--------------------|
| off                      | off                      | BUS 1              |
| off                      | ON                       | BUS 2              |
| ON                       | off                      | BUS 3              |
| ON                       | ON                       | BUS 4              |

Quando i contatti **BUS / LOCAL** 49 sono **in cortocircuito** (audio solo da LOCAL IN):

|   |                           |   |
|---|---------------------------|---|
| 1 | <b>BASS OFF / BASS ON</b> | Se impostato su BASS ON, si enfatizzano le basse frequenze su tutte le uscite   |
| 2 | <b>AUX / SUB</b>          | Se impostato su SUB, sulle uscite posteriori <b>OUT / SUB</b> 43, 44 è inserito un filtro passa-basso a 80 Hz, utile per la connessione di subwoofer attivi   |
| 3 | <b>non utilizzato</b>     |   |
| 4 | <b>non utilizzato</b>     |   |
| 5 | <b>non utilizzato</b>     |   |
| 6 | <b>M LOCAL / S LOCAL</b>  | Se impostato su <b>M LOCAL</b> , l'ingresso LOCAL IN è <b>mono</b> (i canali sono miscelati ed inviati ad entrambe le uscite); se impostato su <b>S LOCAL</b> , LOCAL IN è <b>stereo</b> (canale sinistro all'uscita A, canale destro all'uscita B) |

48 Pannello cieco da rimuovere durante l'installazione della scheda opzionale RDNET.

49 **BUS / LOCAL** (morsetti a vite rimovibile): ingresso logico per contatto pulito. Quando i suoi contatti sono aperti, l'amplificatore DPA riceve segnali audio dal **BUS IN** 45 (ed il suo ingresso locale LOCAL IN è disabilitato); quando i suoi contatti sono in cortocircuito, l'amplificatore DPA è direttamente collegato al solo ingresso locale **LOCAL IN** 41, 42.

50 **MUTE** (morsetti a vite estraibile): ingresso per contatto pulito per la messa in "mute" (quando cortocircuitato).

51 **GAIN A**: ruotare il controllo in senso orario per aumentare il volume dell'uscita A od in senso antiorario per diminuirlo.

52 **GAIN B**: ruotare il controllo in senso orario per aumentare il volume dell'uscita B od in senso antiorario per diminuirlo.

**NOTA IMPORTANTE:** ENTRAMBI I CONTROLLI **GAIN A** E **GAIN B** DEVONO ESSERE IMPOSTATI ALLO STESSO IDENTICO LIVELLO QUANDO I DUE CANALI D'USCITA SONO COLLEGATI TRA LORO "A PONTE" NELLA MODALITÀ BRIDGE (PER OTTENERE UNA SINGOLA LINEA DA 70 V).

### 53 USCITE ALTOPARLANTI

Le uscite per altoparlanti dell'amplificatore DPA consentono connessioni a bassa impedenza su due canali oppure una singola linea da 70 V per diffusori acustici con trasformatore. Connettore: EUROBLOCK (morsetti a vite rimovibile).

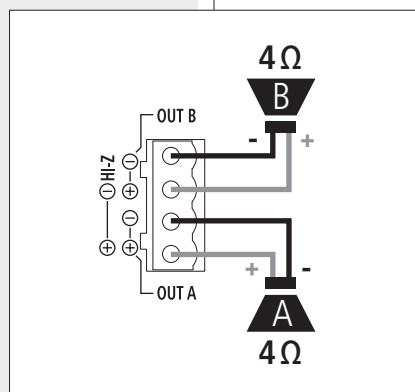
#### DUE CANALI (A, B) COLLEGAMENTO A BASSA IMPEDENZA (4 Ω)

Collegare gli altoparlanti come mostrato in figura.

Impedenza minima del carico: 4 Ω per canale.

Potenza erogata: 2 x 160 W RMS su 4 Ω

UN'IMPEDENZA PARI A 4 Ω CONSENTE DI OTTENERE LA MASSIMA POTENZA (160 W). UN'IMPEDENZA PIÙ ELEVATA PORTA A UNA RIDUZIONE DELLA POTENZA EROGATA (AD ES. 8 Ω: CIRCA 80 W); UN'IMPEDENZA INFERIORE A 4 Ω SOVRACCARICA L'AMPLIFICATORE.



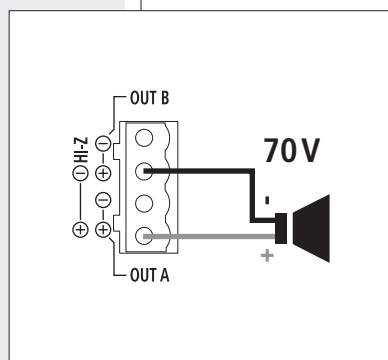
## SINGOLA LINEA 70 V

Collegare la linea per altoparlanti come mostrato in figura.  
I due canali sono messi "a ponte" in modo da ottenere una singola linea a 70 V.

NON collegare gli altri due contatti.

Tutti i diffusori acustici dovranno avere un trasformatore con ingresso 70 V.

La potenza totale complessiva dei diffusori acustici non dovrà eccedere il valore di 320 W.



54 Ingresso per il cavo d'alimentazione

Collegare il cavo d'alimentazione solo ad una presa di corrente avente la messa a terra.

55 Interruttore principale: premere per accendere (I) oppure spegnere (O) l'amplificatore.

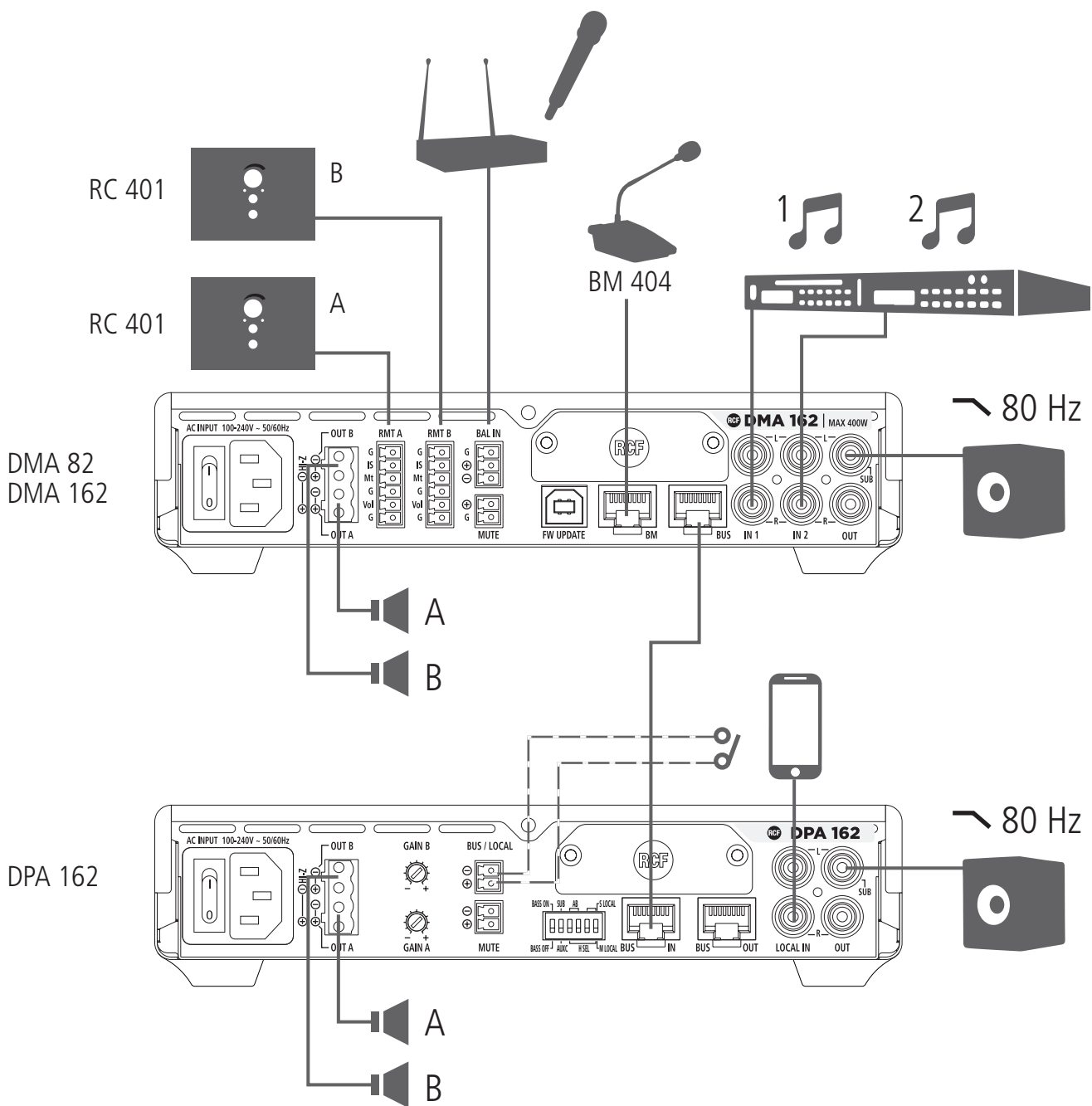
## DATI TECNICI



|   | DMA 82        | DMA 162       | DPA 162              |
|---|---------------|---------------|----------------------|
| <b>AMPLIFICATORE</b>                              |               |               |                      |
| Classe:   | D             | D             | D                    |
| Numero di canali:                                 | 2             | 2             | 2                    |
| Potenza d'uscita per canale a 4 Ω:                | 80 W RMS      | 160 W RMS     | 160 W RMS            |
| Potenza d'uscita a 70 V (bridge):                 | 160 W RMS     | 320 W RMS     | 320 W RMS            |
| Risposta in frequenza (-3 dB):                    | 20 ÷ 20000 Hz | 20 ÷ 20000 Hz | 20 ÷ 20000 Hz        |
| Rapporto segnale/rumore (pesato A):               | > 93 dB       | > 93 dB       | > 93 dB              |
| Distorsione (THD+N)<br>a 1 kHz, potenza nominale: | < 0,01%       | < 0,01%       | < 0,01%              |
| <b>INGRESSI AUDIO</b>                             |               |               |                      |
| Numero totale ingressi audio:                     | 4             | 4             | 5 (1 + BUS 4-canali) |
| L bilanciati / sbilanciati:                       | 2 / 2         | 2 / 2         | 4 / 1                |
| L stereo / mono:                                  | 2 / 2         | 2 / 2         | 1 / 4                |
| Funzione VOX (su BAL IN):                         | Sì            | Sì            | -                    |
| Ingresso per annunci (BM):                        | 1             | 1             | -                    |
| Connettore ingresso (BM):                         | RJ45          | RJ45          | -                    |
| Comandi annunci:                                  | Contatti      | Contatti      | -                    |
| Ingressi logici:                                  | MUTE          | MUTE          | MUTE, BUS / LOCAL    |
| <b>USCITE AUDIO</b>                               |               |               |                      |
| Connettori uscite OUT/SUB:                        | RCA           | RCA           | RCA                  |
| Connettori uscite altoparlanti:                   | Euroblock     | Euroblock     | Euroblock            |



|  | DMA 82  | DMA 162   | DPA 162   |
|--|---|---|---|
| <b>PROCESSAMENTO SEGNALE AUDIO</b>           |   |   | (conf. via 'RdNet')   |
| DSP (processore audio):                      | Si  | Si  | Si  |
| Equalizzatori parametrici:                   | Si  | Si  | Si  |
| FIR<br>(filtro risposta finita all'impulso): | Si  | Si  | Si  |
| Enhancer basse frequenze:                    | Si  | Si  | Si  |
| Controlli di tono:                           | Si  | Si  | Si  |
| Freq. di taglio del filtro passa-alto:       | 20 ÷ 200 Hz   | 20 ÷ 200 Hz   | 20 ÷ 200 Hz   |
| <b>IMPOSTAZIONI</b>                          |   |   |   |
| Configurazione da:                           | Pannello, software PC   | Pannello, software PC   | DIP switch, software PC   |
| <b>PROTEZIONI</b>                            |   |   |   |
| Raffreddamento:                              | Forzato   | Forzato   | Forzato   |
| Corto circuito:                              | Si  | Si  | Si  |
| Termica:                                     | Si  | Si  | Si  |
| Corrente continua:                           | Si  | Si  | Si  |
| Fusibili:                                    | Si  | Si  | Si  |
| Alte frequenze (VHF):                        | Si  | Si  | Si  |
| <b>REQUISITI DI POTENZA</b>                  |   |   |   |
| Tensione di funzionamento:                   | 90÷240 V c.a. - 50/60 Hz  | 90÷240 V c.a. - 50/60 Hz  | 90÷240 V c.a. - 50/60 Hz  |
| Consumo (potenza):                           | 200 W   | 400 W   | 400 W   |
| <b>CONFORMITÀ</b>                            |   |   |   |
| Marchatura CE:                               | Si  | Si  | Si  |
| Energy Star:                                 | Si  | Si  | Si  |
| <b>SPECIFICHE FISICHE</b>                    |   |   |   |
| Materiale telaio:                            | Metallo   | Metallo   | Metallo   |
| Colore:                                      | Nero  | Nero  | Nero  |
| Installazione a rack:                        | Mezza unità 19"<br>(è richiesto un accessorio di<br>montaggio opzionale 1U) | Mezza unità 19"<br>(è richiesto un accessorio di<br>montaggio opzionale 1U) | Mezza unità 19"<br>(è richiesto un accessorio di<br>montaggio opzionale 1U) |
| Altezza:                                     | 44 mm   | 44 mm   | 44 mm   |
| Larghezza:                                   | 213 mm  | 213 mm  | 213 mm  |
| Profondità:                                  | 314 mm  | 314 mm  | 314 mm  |
| Peso netto:                                  | 3 kg  | 3 kg  | 3 kg  |
| <b>INFORMAZIONI PER<br/>LA SPEDIZIONE</b>    |   |   |   |
| Altezza imballo:                             | 106 mm  | 106 mm  | 106 mm  |
| Larghezza imballo:                           | 360 mm  | 360 mm  | 360 mm  |
| Profondità imballo:                          | 381 mm  | 381 mm  | 381 mm  |
| Peso imballo:                                | 4 kg  | 4 kg  | 4 kg  |
|  |   |   |   |
| Codice:                                      | 12100026  | 12100027  | 12100028  |





Salvo eventuali errori ed omissioni.  
RCF S.p.A. si riserva il diritto di apportare modifiche senza preavviso.

Except possible errors and omissions.  
RCF S.p.A. reserves the right to make modifications without prior notice.

[www.rcf.it](http://www.rcf.it)



**RCF S.p.A.** Italy  
Via Raffaello Sanzio, 13  
42124 Reggio Emilia - Italy  
Tel +39 0522 274 411  
Fax +39 0522 232 428  
e-mail: [info@rcf.it](mailto:info@rcf.it)